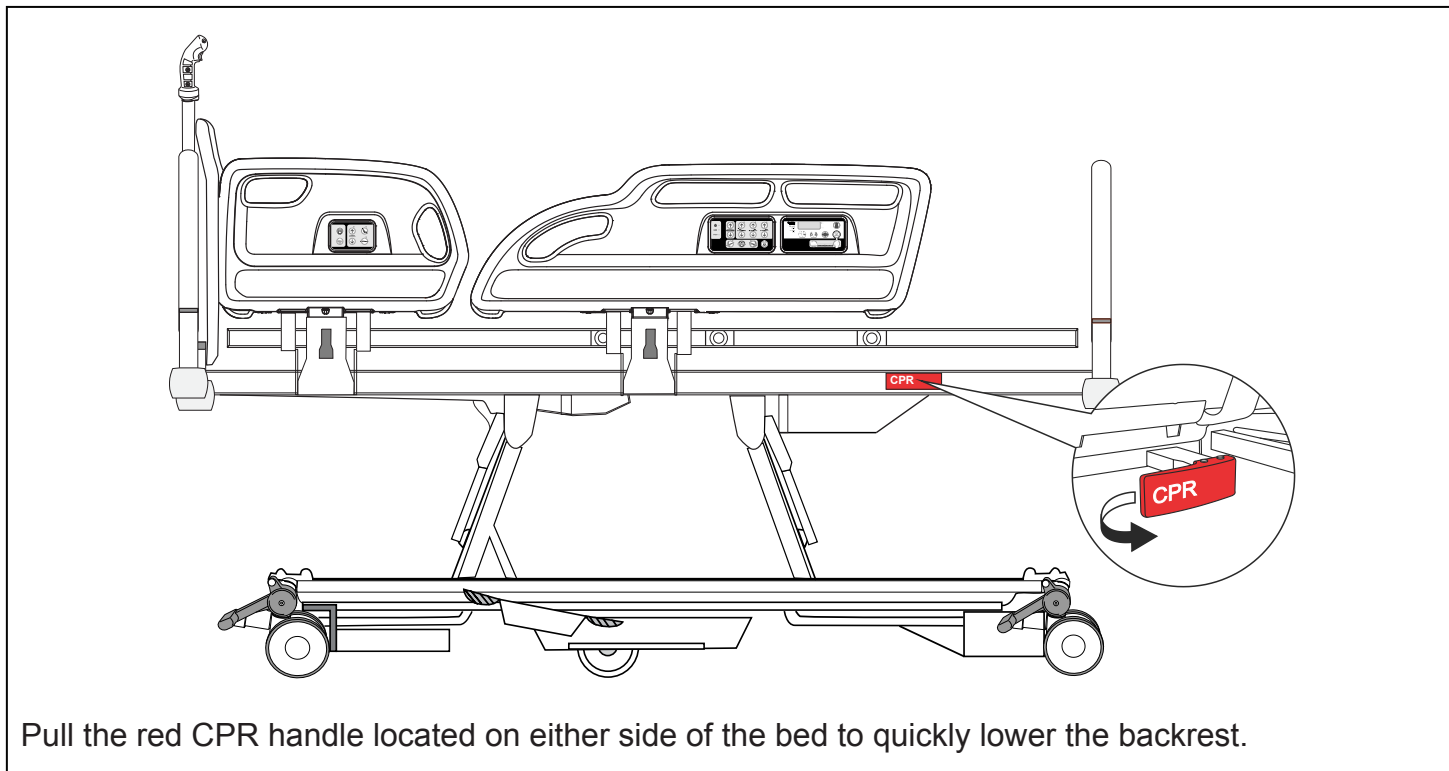
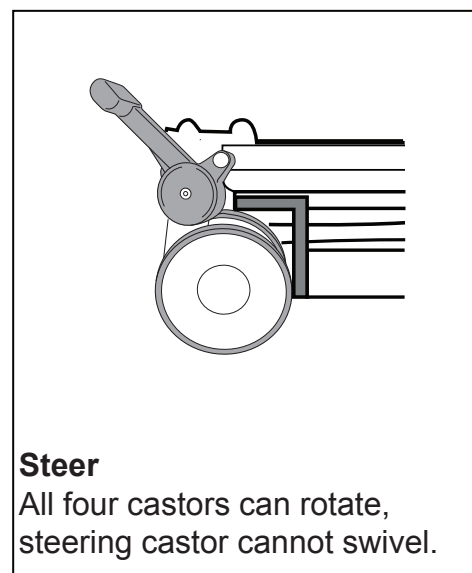
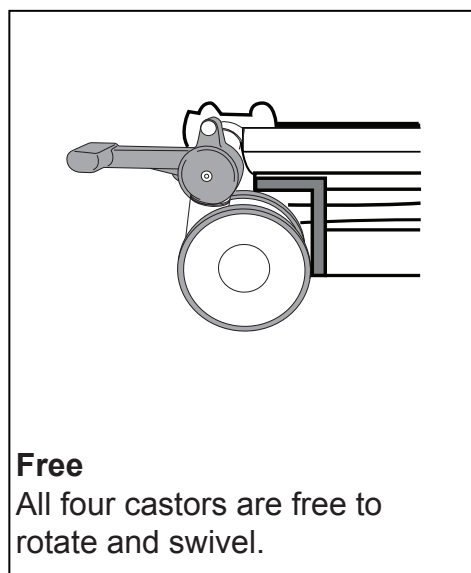
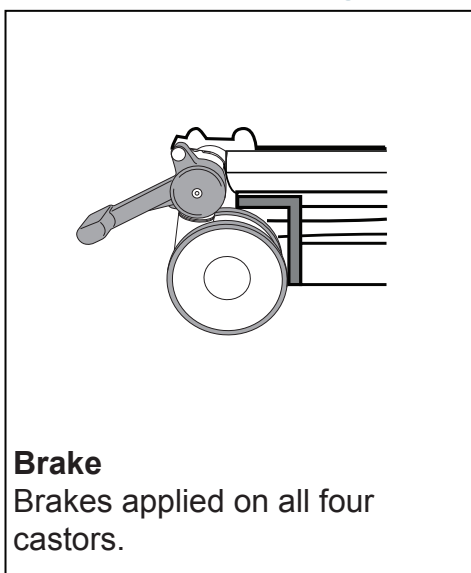


CPR backrest release



Brakes and steering

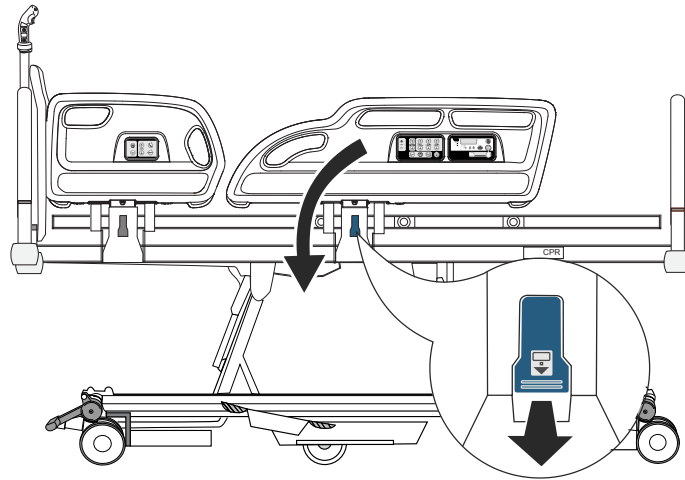


The brakes should be applied at all times when the bed is stationary.

Side rails



Make sure the locking mechanism is securely engaged when the side rails are raised.

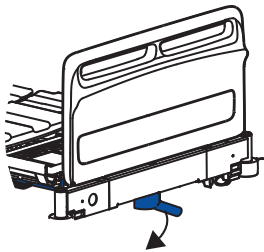


Pull the blue release lever to lower the side rail.

To raise side rail, hold side rail handle and pull it up and away from the bed until it locks in raised position.

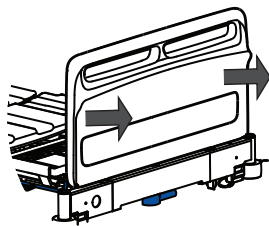
Bed length adjustment (three set positions)

1



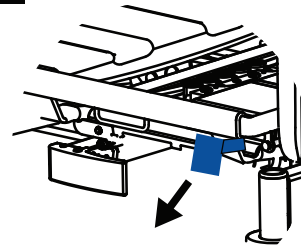
Pull the blue extension locking handle.

2



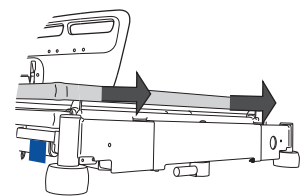
Pull out the bed frame to required position and release handle.

3



Pull the blue extension handle.

4



Pull out the deck to required position.

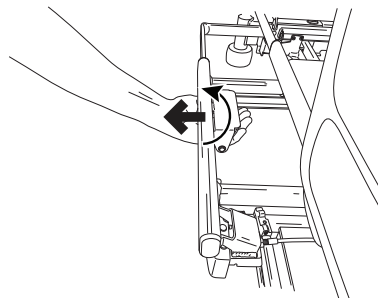
Bed width adjustment

1



Locate extension latches located behind extension symbol (four per side).

2



Squeeze extension latch to unlock and pull section until fully extended.

3

Make sure to repeat for all extension latches.