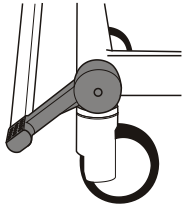
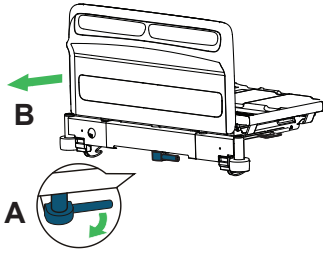

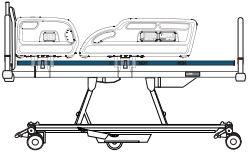

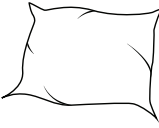
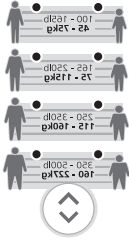


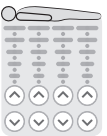
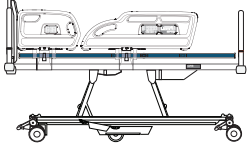
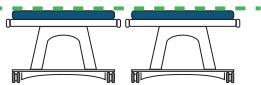
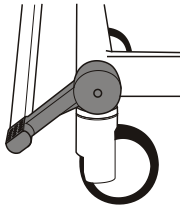
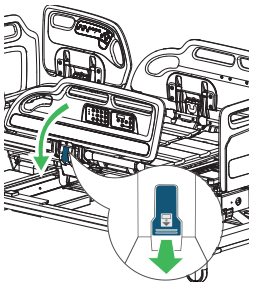

Citadel Patient Therapy System

Preparation for Patient Placement / Transfer

<p>1</p>  <p>Apply castor brakes on the bed frame.</p>	<p>2</p>  <p>Extend the frame and mattress if necessary.</p>	<p>3</p>  <p>Press and hold the On/Off button for two seconds on the control panel to activate the air supply to the unit.</p>	<p>4</p>  <p>Level patient surface.</p>	<p>5</p>  <p>Press the Firm Mattress button to inflate the mattress.</p>	<p>6</p>  <p>Add pillows, blankets and other equipment.</p>	<p>7</p>  <p>Set initial air pressures: Press Height/Weight presets to select the patient profile.</p>
--	--	--	---	--	---	--

Patient Placement

Patient transfer from Citadel patient therapy system

<p>1</p>  <p>Press the Pressure Zone Adjustment buttons to adjust the pressure of the mattress. Up arrows to increase and down arrows to decrease.</p>	<p>1</p>  <p>Level patient surface.</p>	<p>2</p>  <p>Adjust the height of the patient surface to the same as the patient transfer surface.</p>	<p>3</p>  <p>Apply brakes on both units.</p>	<p>4</p>  <p>Lower the side rails.</p>	<p>5</p> <p>Transfer the patient (following all applicable safety rules and institution protocols.)</p>	<p>6</p>  <p>Press and hold the On/Off button for two seconds to turn off, if the patient will not be returning.</p>
--	--	---	---	---	--	--

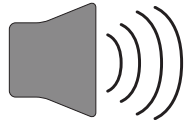
Patient transport

1



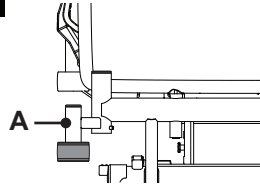
Press the Patient Transport Button to inflate the Air Mattress slightly above the set pressures.

2



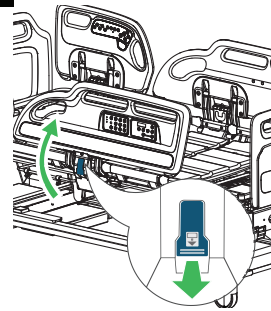
After an audible tone and the transport button indicator turns green, unplug the power cord, wrap the cord onto the hook at the head end.

3



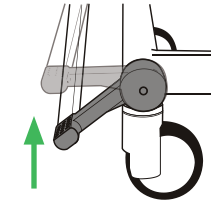
Place the patient's IV therapy onto IV poles then into the sockets (A) located on all four corners of the bed.

4



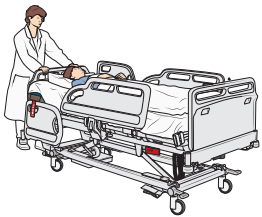
Raise the side rails.

5



Release the brakes.

6



Transport patient following all applicable safety rules and institution protocols.

7

After patient transport apply castor brakes on the bed frame and plug the power cord into the wall outlet immediately.

8



Press and hold the On/Off button on the mattress control unit for two seconds to turn on the control unit.

