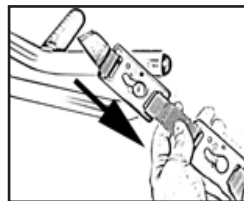
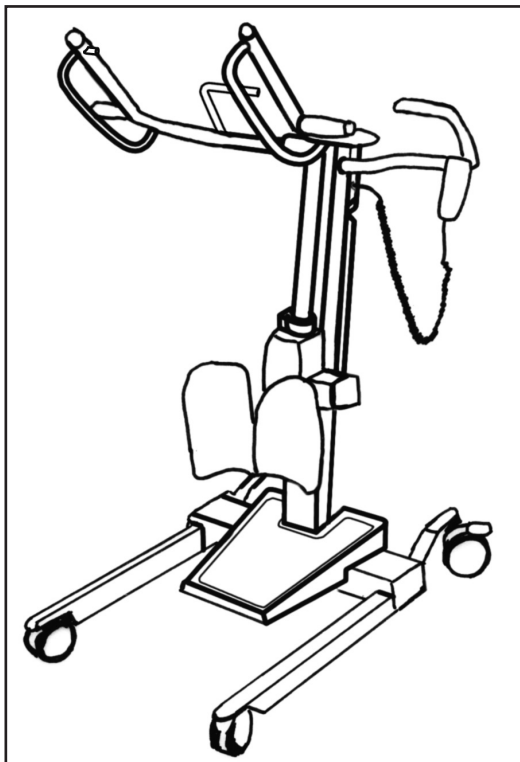




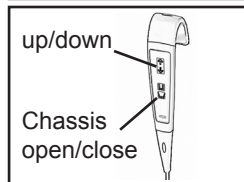
This Quick Reference Guide has been produced to assist Healthcare Professionals and other users with only the functional aspects of the system. The guide does not replace the general safety warnings, cautions and recommendations provided in the product instructions for use, part number KXX81010M-EN.

Refer to the product instructions for use before using this product.

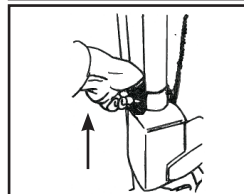
Product Overview



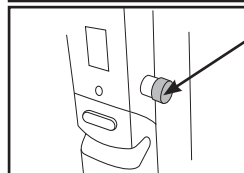
Pull the Clip attachments in the direction of the arrow



Use the handset to move the resident support arms

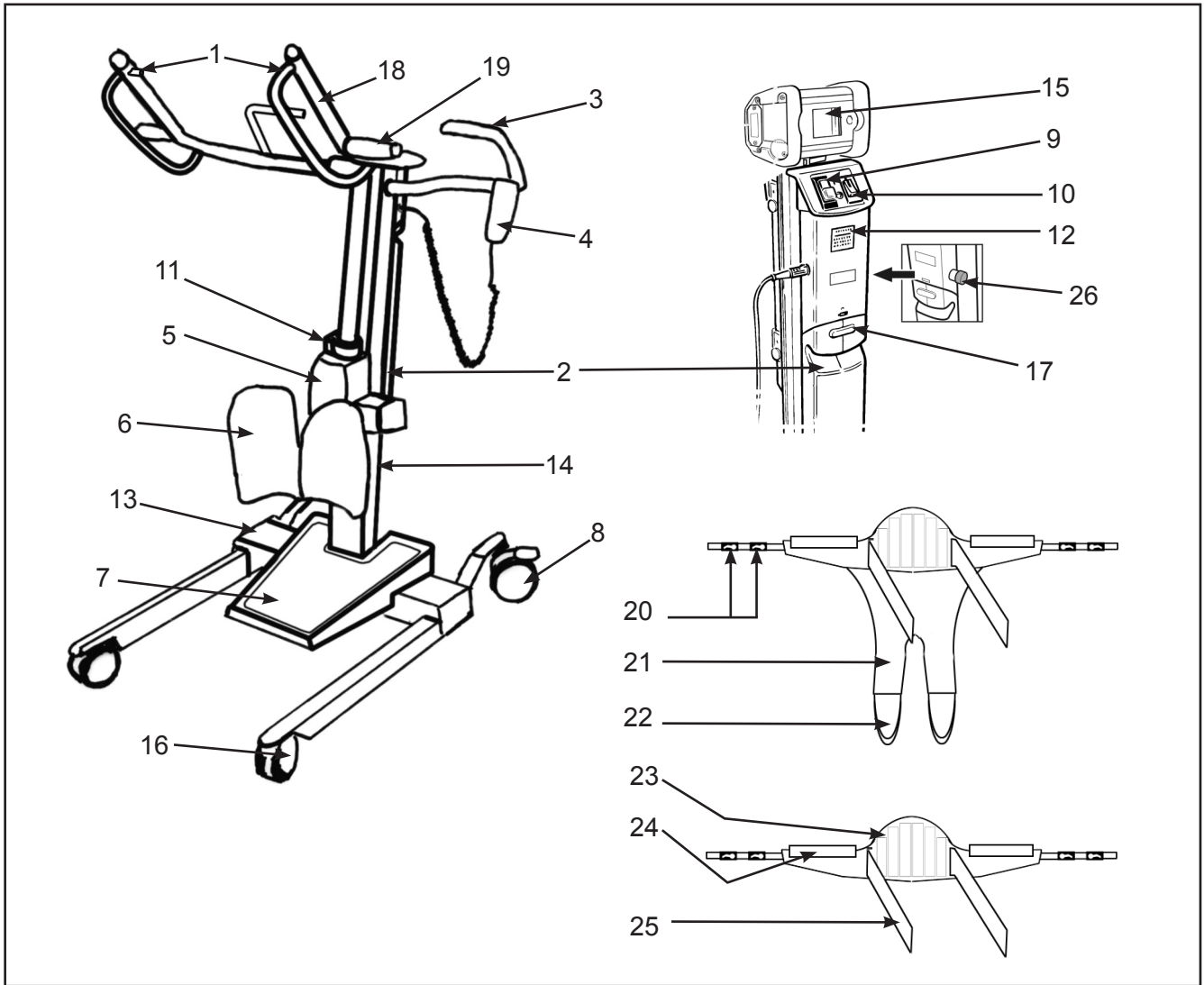


If necessary, pull up the Emergency lowering knob



If necessary, push the red emergency stop button

1. Fit the sling to the resident, ensuring correct size is used. Ensure chest strap is fastened securely and residents arms are outside the sling.
2. Position the SARA 3000 in front of the resident, open the chassis legs if necessary, assist in placing residents feet on the foot support with the knees touching the kneepad and allow resident to hold hand grips.
3. Adjust height of resident support arms to its lowest position.
4. Attach the sling to the SARA 3000 and put under tension before lifting.
5. Using the handset or dual control, raise the resident to a standing position.
6. Close legs and transport resident to chair, bed or toilet.
7. Position the resident in front of chair, bed or toilet with the back of their legs gently touching e.g. the chair and lower to a sitting position.
8. Release tension on the sling and remove sling from the SARA 3000.
9. Remove the SARA 3000, taking care to remove the residents feet from the foot support.
10. Remove the sling from around the resident.



- | | |
|---|--------------------------------|
| 1. Clip attachment points | 14. Mast |
| 2. Battery pack | 15. Scales display (if fitted) |
| 3. Steering handgrips | 16. Front castors |
| 4. Remote control | 17. Battery release button |
| 5. Motor / actuator | 18. Resident support arms |
| 6. Knee support | 19. Resident support grips |
| 7. Foot support | 20. Clips |
| 8. Rear castors with brake | 21. Leg flaps |
| 9. Power off button (red) and Power on / Reset button (green) | 22. Loops |
| 10. Raise / Lower button | 23. Anti-skid back support |
| 11. Emergency Lowering button in the event of system failure | 24. Padding |
| 12. Battery discharge indicator and hour meter | 25. Chest fixation strap |
| 13. Chassis | 26. Emergency stop button |

® and ™ are trademarks belonging to the Arjo group of companies.

© Arjo 2019.

As our policy is one of continuous improvement, we reserve the right to modify designs without prior notice. The content of this publication may not be copied either whole or in part without the consent of Arjo.

