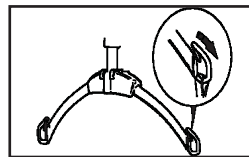
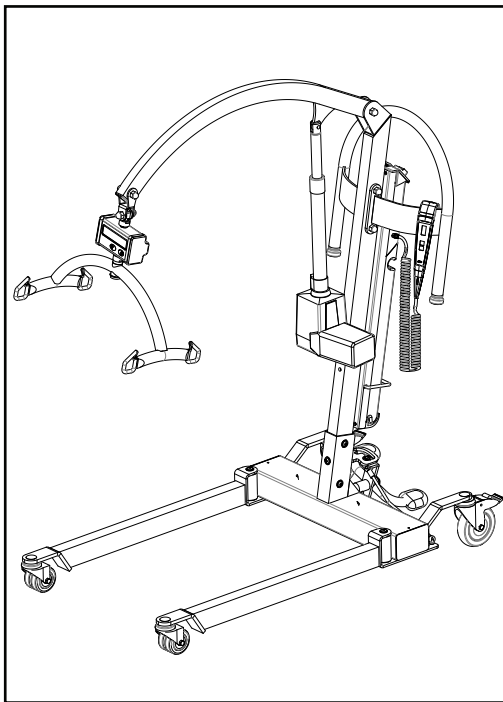




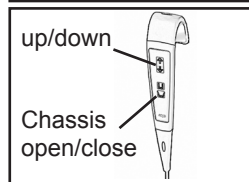
This Quick Reference Guide has been produced to assist Healthcare Professionals and other users with only the functional aspects of the system. The guide does not replace the general safety warnings, cautions and recommendations provided in the product instructions for use, part number MMX15030.EN.M.

Refer to the product instructions for use before using this product.

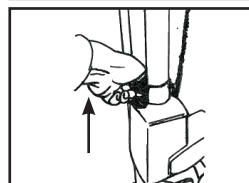
## Product Overview



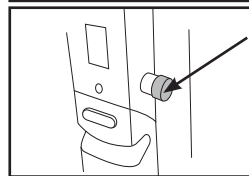
Pull the Loop attachment in the direction of the arrow



Use the handset to operate the jib

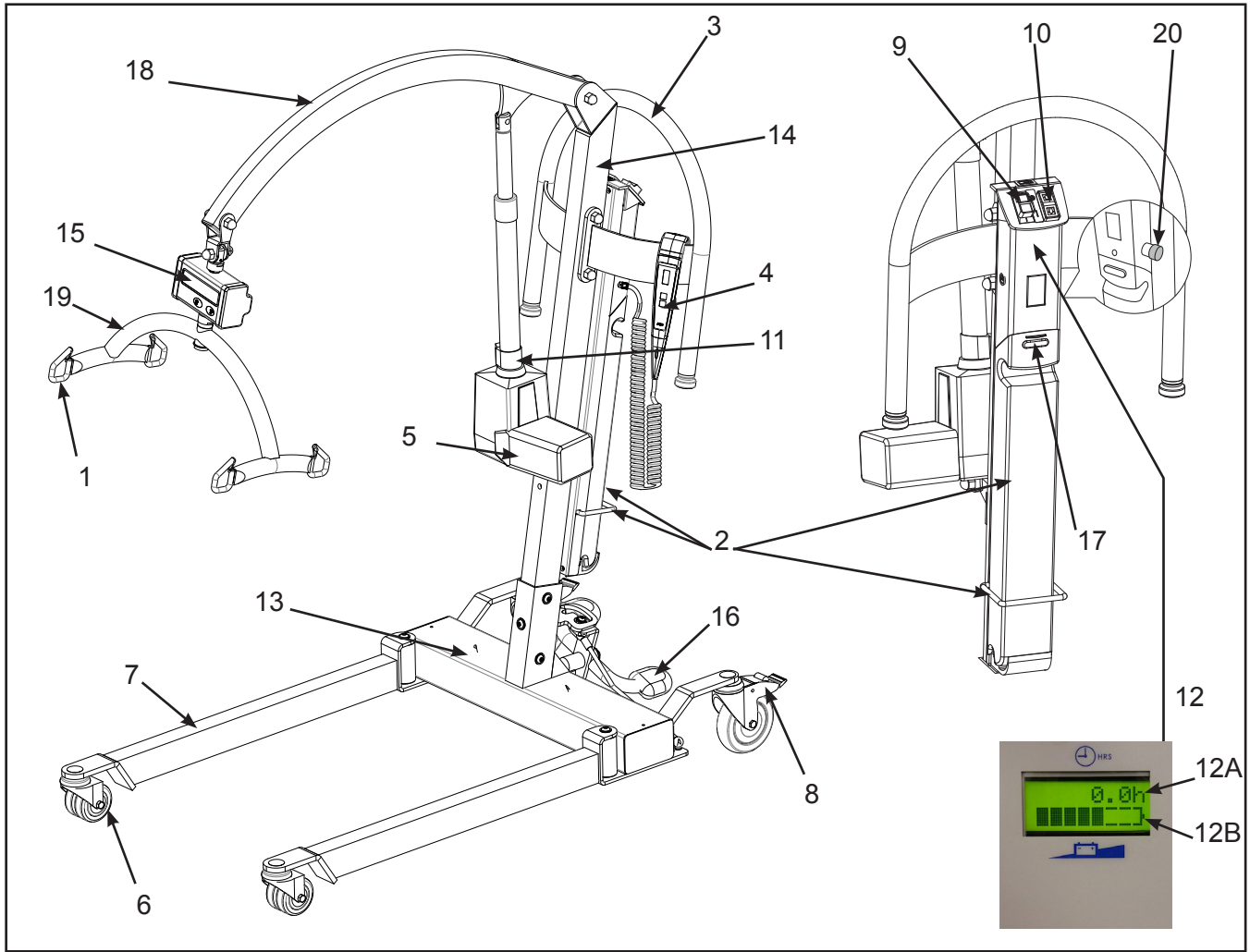


If necessary, pull up the emergency lowering release



If necessary, push the red emergency stop button to stop electric movement

1. Fit the sling to the resident, ensuring correct size is used. When using a toilet sling, ensure chest strap is fastened securely and residents arms are outside the sling. Before each and every use, check for sling damage. Do not use the sling when damaged.
2. Position the MINSTREL in front of the resident, open the chassis legs if necessary. If necessary, place the residents legs on or over the chassis.
3. Adjust height of jib to approximately shoulder height.
4. Attach the sling to the MINSTREL, assuring the loops are correctly connected. Put under tension before lifting.
5. Using the handset or dual control, raise the resident to the needed height.
6. Close legs and transport resident to chair, bed or toilet.
7. Position the resident over the chair, bed or toilet with the back of his / her legs gently touching e.g. the chair and lower to a sitting position.
8. Release tension on the sling by lowering the resident and remove sling from the MINSTREL.
9. Remove the MINSTREL, taking care to remove the resident s feet from the chassis.
10. Remove the sling from around the resident.



- |  |                                  |
|--|----------------------------------|
| 1. Sling loop attachments points                             | 12. LCD                          |
| 2. Battery (battery bracket)                                 | 12A: Hour/Cycle Meter            |
| 3. Push handle   | 12B: Battery Discharge Indicator |
| 4. Remote control  | 13. Chassis                      |
| 5. Motor / actuator  | 14. Mast                         |
| 6. Unbraked castors (front)                                  | 15. Scales display               |
| 7. Adjustable chassis legs                                   | 16. Pedals                       |
| 8. Brake castors (back)                                      | 17. Battery release button       |
| 9. Power off (red) and Power on/Reset (green)                | 18. Jib                          |
| 10. Raise / Lower button                                     | 19. Spreader bar                 |
| 11. Emergency Lowering button in the event of system failure | 20. Emergency Stop Button        |

® and ™ are trademarks belonging to the Arjo group of companies.

© Arjo 2019.

As our policy is one of continuous improvement, we reserve the right to modify designs without prior notice. The content of this publication may not be copied either whole or in part without the consent of Arjo.

