

# Enterprise 9000X (E9X)



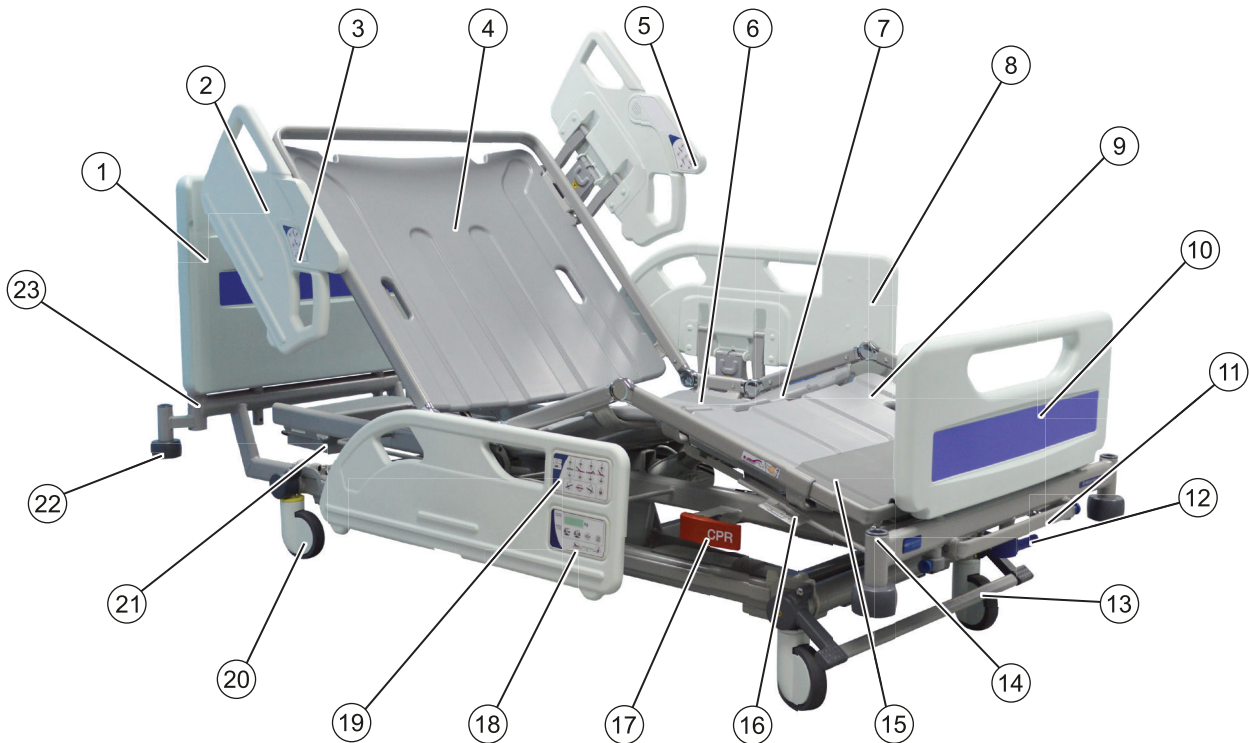
This Quick Reference Guide (QRG) is intended to assist the user in understanding the basic functions of this medical bed. The QRG does not replace the safety warnings, cautions and other important information provided in the Instructions for Use (IFU) supplied with the equipment; copies of the IFU are available on request from Arjo.

Some of the functions should only be used by clinically-qualified personnel. The carer should make sure they have read and understood the IFU before using this medical bed.

A clinically-qualified person should assess the age, height and medical condition of the patient to ensure they can use the product safely.

Place the mattress platform in the low height position when the patient is unattended.

## Product overview



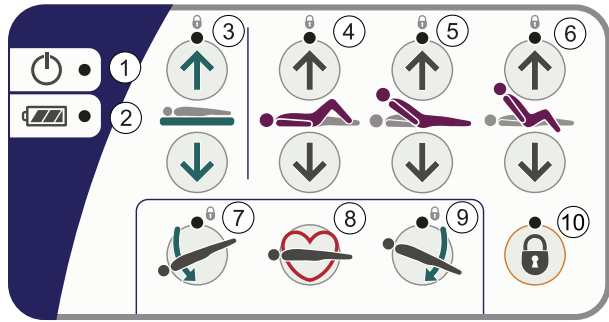
- |                            |                                |   |
|----------------------------|--------------------------------|---|
| ① Head board               | ⑨ Calf section                 | ⑰ CPR release handle                            |
| ② Head end split side rail | ⑩ Foot board                   | ⑱ Weighing / movement detection system controls |
| ③ Caregiver controls       | ⑪ Bed stripper (linen shelf)   | ⑲ Attendant Control Panel (ACP)                 |
| ④ Backrest section         | ⑫ Bed Extension locking handle | ⑳ Castor  |
| ⑤ Patient controls         | ⑬ Brake pedal / bar            | ㉑ Drainage bag rail                             |
| ⑥ Seat section             | ⑭ Accessory socket             | ㉒ Roller buffer                                 |
| ⑦ Thigh section            | ⑮ Calf extension sheet         | ㉓ Lifting pole socket                           |
| ⑧ Foot end split side rail | ⑯ Mattress extension catch bar |   |

## Technical Data

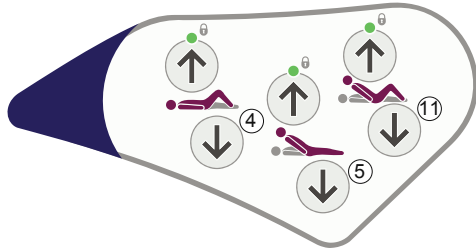
Safe Working Load (SWL):	250kg (550lbs)
Maximum patient weight:	185kg (407 lbs)
Recommended patient height:	146 to 190cm (57 to 74 ins.)
Product weight (without mattress):	180kg (396 lbs)
Operating temperature:	5°C to 40°C (41°F to 104°F)
Standard mattress size:	202 x 88 x 18 cm (79.5 x 34.6 x 7 ins)
Liquid ingress protection:	IPX4

## Bed controls

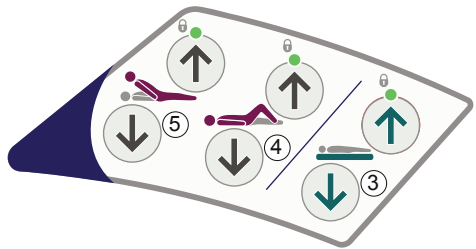
- ① Power on indicator
- ② Battery indicator
- ③ Raise / lower mattress platform height
- ④ Raise / lower thigh section
- ⑤ Raise / lower backrest
- ⑥ Auto-Chair (described below)
- ⑦ Head down tilt (Trendelenburg)
- ⑧ CPR - hold down the button to return the bed to a flat position.
- ⑨ Foot down tilt (Reverse Trendelenburg)
- ⑩ Function lock / unlock
- ⑪ Bio-Contour (described below)



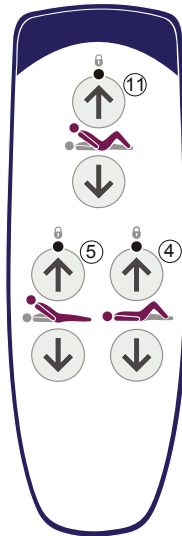
**Attendant Control Panel (ACP)**



**Patient Controls**



**Caregiver Controls**



**Patient Handset**

### Battery status indicator ②

- Battery fully charged (indicator off)
- Battery charging
- Battery discharged

A "beeping" sound indicates that the bed is operating on battery power. Connect the bed to the mains supply as soon as possible.

### To operate controls

Select a function button for example raise / lower mattress platform height. The indicator light on the selected function will turn green and the bed will immediately begin to move accordingly.

- Green light indicates function selected.

### Mattress platform height

- Raise and lower the mattress platform. When lowered to 38cm (40cm on beds with 150mm castors) above the floor, it will pause then continue to lower until it reaches its minimum height.
- 

At minimum height, clearance underneath the bed is reduced. Keep your feet away from the areas below the side rails and take extra care when using patient hoists or similar equipment.

### Function lockout

- Press the Function Lock button, then press the Attendant Control Panel button(s) corresponding to the function(s) to be locked or unlocked.

The "lock" indicator above the function button will light yellow when the function is locked and go out when it is unlocked.

- Yellow light indicates function is locked out.

### Backrest

- Raise and lower the backrest. The backrest will pause when it reaches an angle approximately 30° above the horizontal.
- 

### Auto-Chair

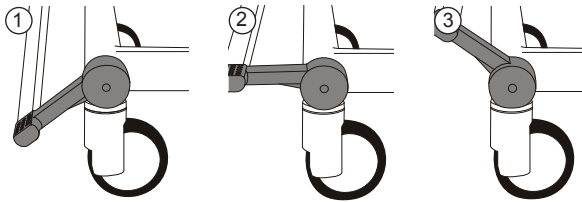
- The Auto-Chair up button simultaneously raises the backrest and thigh sections, pausing when the backrest reaches 45°. Continue to hold the button down to lower the foot end of the mattress platform into a chair position.
- If the backrest angle is greater than 45°, it will return to 45° to prevent the patient from tipping forwards. The Auto-Chair down button returns the mattress platform to a flat and level position.

### Bio-Contour

- The Bio-Contour up button simultaneously raises the backrest and thigh sections to provide upright patient profiling; the raised thigh section prevents the patient sliding down the bed.
- The Bio-Contour down button returns the mattress platform to a flat position.

## Brakes and steering

The brakes should be applied at all times when the bed is stationary. The pedals may be linked by a full width brake bar.

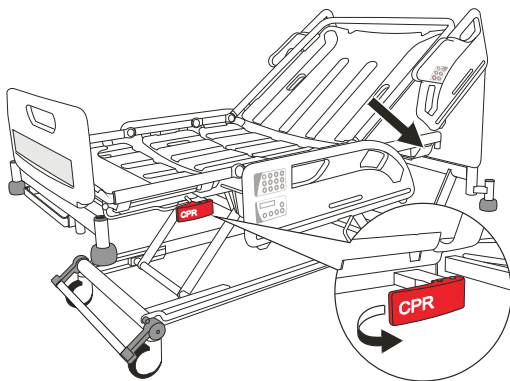


- 1 **Brake:** brakes are applied on all four castors.
- 2 **Free:** all four castors are free to rotate and swivel.
- 3 **Steer:** all four castors can rotate, but the steering castor (see below) is locked so that it cannot swivel. This helps to keep the bed on a straight line.

To use the steering castor: Position the bed so all castors line up in the direction of travel. Raise the pedals to lock the steering castor and move the bed by pushing it from the opposite end of the steering castor.

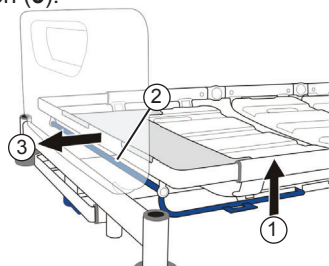
## CPR backrest release

Pull the **red** manual CPR lever located on either side of the bed to quickly lower the backrest.



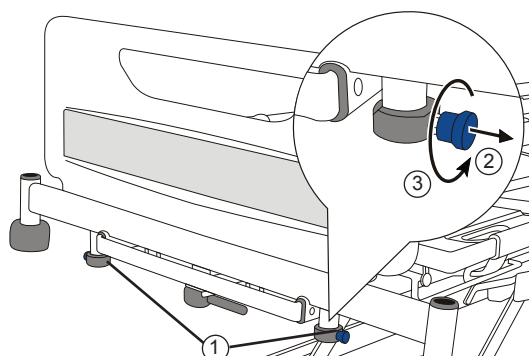
## Mattress platform length adjustment

Lift the **blue** extension catch bar (1) and hold the middle of the crossbar (2), then pull the mattress platform to the required position (3).



## Locking head and foot boards

The head and foot boards can each be fitted with optional locking catches (1) to prevent accidental removal. To unlock a board: pull out the **blue** catches (2) and rotate them a quarter-turn (3); the board can now be lifted off the bed.

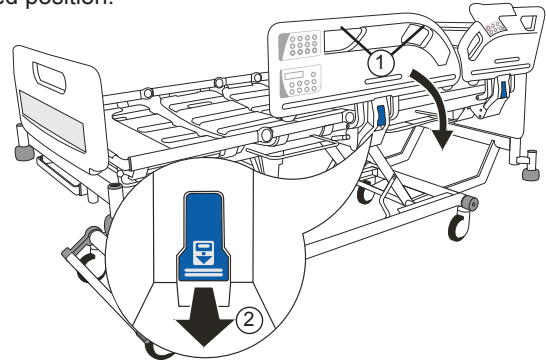


## Side rails



Make sure the side rail is securely locked when in the raised position.

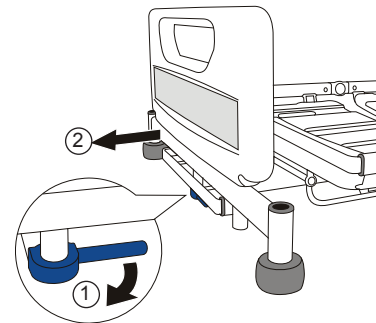
Pull the **blue** release lever (2) to lower the side rail. To raise the side rail, hold onto either side rail handle (1) and pull the side rail up and away from the bed until it locks in the raised position.



## Bed length adjustment

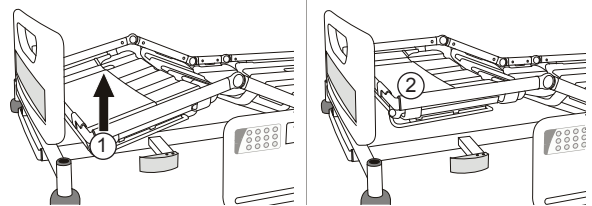
Pull the **blue** extension locking handle locking handle (1). Pull out the bed frame (2) to the required position and release the handle.

Adjust the mattress platform length to match the bed frame.



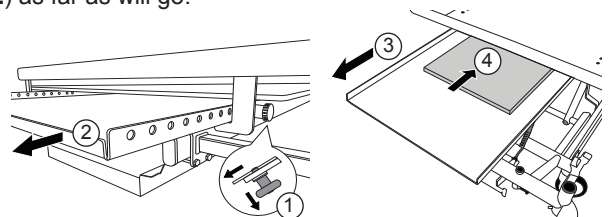
## Calf section adjustment

Hold the side of the calf section frame and manually lift the calf section upwards (1) until it latches in the horizontal (vascular) position (2). Use the caregiver controls or ACP to lower the thigh section to the angled (Fowler) position.



## X-ray cassette tray

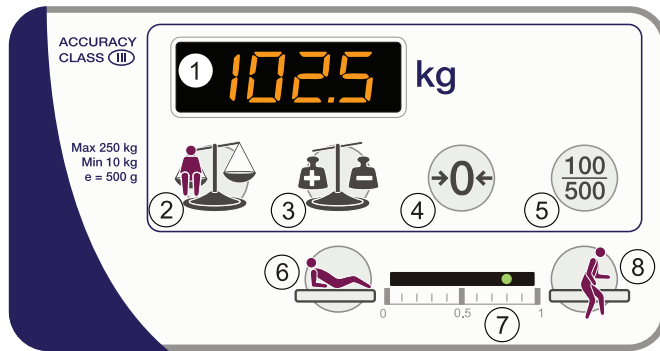
Apply the brakes. Remove the head board from the bed. Pull the knob (1) to release the catch and slide the tray out (2) as far as will go.



Release the knob to hold the tray in the fully open position (3). Position the X-ray cassette (4) on the tray with its bottom edge against the lip at the foot end of the tray. Pull the knob and slide the tray underneath the backrest. Release the knob to hold the tray in one of the latching positions.

## Patient Weighing and VariZone Movement Detection

The controls for the weighing system and VariZone patient movement detection are located on the foot end side rails.



- ① Display (shows patient weight and bed section angles.)
- ② Weigh.
- ③ Auto Compensation.
- ④ Zero.
- ⑤ Select Weight Display
- ⑥ In Bed.
- ⑦ VariZone movement detection threshold indicator.
- ⑧ Egress.

## Patient Weighing System Operating Instructions

Initialisation - After connecting the bed to the electrical supply, the weighing system must be initialised as follows: Place the mattress, bed linen and all necessary accessories on the bed. The patient must not be on the bed at this point.

1. Press the **Zero** button once.
2. After a few seconds, the display will read zero.
3. The patient can now get onto the bed.



*The zero point can only be set if the load on the bed is less than 77lbs or 35kg above the factory calibrated zero.*

## Weighing

To calculate and display the patient's weight:



With the patient lying centrally on the bed, press the **Weigh** button once.



The display will show a moving circular pattern until a stable weight reading is obtained.



The patient's weight will be displayed for ten seconds then the display will go blank.

## Select Weight Display



The patient's weight is usually displayed rounded to the nearest 500g; this can be temporarily changed to 100g by pressing the **Select Display Weight** button.

The display will revert to 500g next time the **Weigh** button is pressed.



*The 100g weight display should only be used for comparative readings.*

## Auto Compensation

The Auto Compensation facility allows weight to be added to or removed from the bed, without affecting the indicated patient weight.



With the patient on the bed, press the **Auto Compensation** button once.



The display will show a moving circular pattern until a stable weight reading is obtained.



The display will now indicate **Auto**.

Add or remove accessories, bed linen, etc., as required.



Press the **Auto Compensation** button again.



The display will show a moving circular pattern for a few seconds then revert to showing the patient's weight.



*Auto Compensation allows the addition or removal of weights up to 220 lbs or 100kg.*

## VariZone Patient Movement Detection



Before using patient movement detection, verify that the alarm can be easily heard by caregivers, e.g. at the nurse's station.



The patient movement detection function should be checked periodically for correct operation and before each new patient uses the bed.

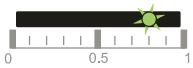


Mattresses that are not approved by Arjo should be validated by the user to ensure correct operation with the VariZone system.

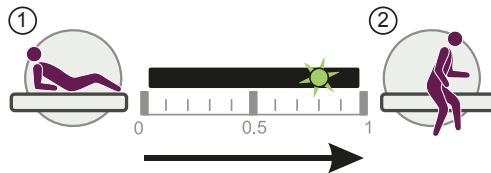
Before setting and activating movement detection, make sure the patient has been weighed, all additional accessories have been accounted for using the Auto Compensation function, and the weighing display is blank.



The display will show a moving circular pattern for a few seconds then revert to showing the patient's weight. Press and hold either the **In Bed (1)** button or the **Egress (2)** button for two seconds.



One of the indicators between the buttons will flash to show the selected movement detection threshold.



Increasing movement detection threshold.

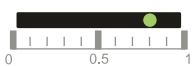


To increase the threshold, press and hold the **Egress** button. The flashing indicator will move to the right.



To decrease the threshold, press and hold the **In Bed** button. The flashing indicator will move to the left.

When the required threshold is reached, release the button.

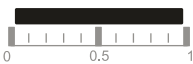


After a few seconds the indicator will stop flashing and remain lit to show that movement detection is activated.

If movement detection is triggered, a local alarm will sound and the threshold indicator will flash. If the bed is connected to a suitable nurse call system, the alarm will also be indicated at the nurse's station.



To cancel the patient movement alarm, or to deactivate movement detection without triggering the alarm, press the **In Bed** or **Egress** button once.



All the threshold indicators will go out to show that movement detection is deactivated.



*The degree of mattress platform profile adjustment before triggering the alarm depends on the threshold setting.*

*The Auto Compensation function can be used while movement detection is activated.*

## Anti-Entrapment System

The anti-entrapment system is designed to detect patient entrapment between the base and mattress platform when the mattress platform is lowered, or is placed into tilt or Auto-Chair. The system is permanently active and cannot be switched off.

There are four infra-red sensors, one above each castor, which generate an invisible beam around the base of the bed.

If the beam is interrupted (e.g. by a patient's limb) while the mattress platform is lowering, the mattress platform stops moving and the weighing system display shows AES.



Upward movement of the mattress platform is not affected

## Troubleshooting

If you experience any problems when using this product:

1. Refer to the Instructions for Use (part number 746-591) for further information.
2. Check the troubleshooting guide in the product service manual (part number 746-592).
3. For additional product information contact Arjo.

® and ™ are trademarks belonging to the Arjo group of companies. © Arjo 2019.

As our policy is one of continuous improvement, we reserve the right to modify designs without prior notice. The content of this publication may not be copied either whole or in part without the consent of Arjo.

