

Wellness Nordic

Operating Instruction

Bedienungsanleitung

Mode d'emploi

Istruzioni d'uso

Instrucciones de Uso

Gebruiksaanwijzing

Bruksanvisning

Brugsanvisning

Bruksanvisning

Инструкции по эксплуатации

Relax Chair

Relaxessel

Fauteuil de relaxation

Poltrona relax

Sillón de relax

Relax-stoel

Relax Chair

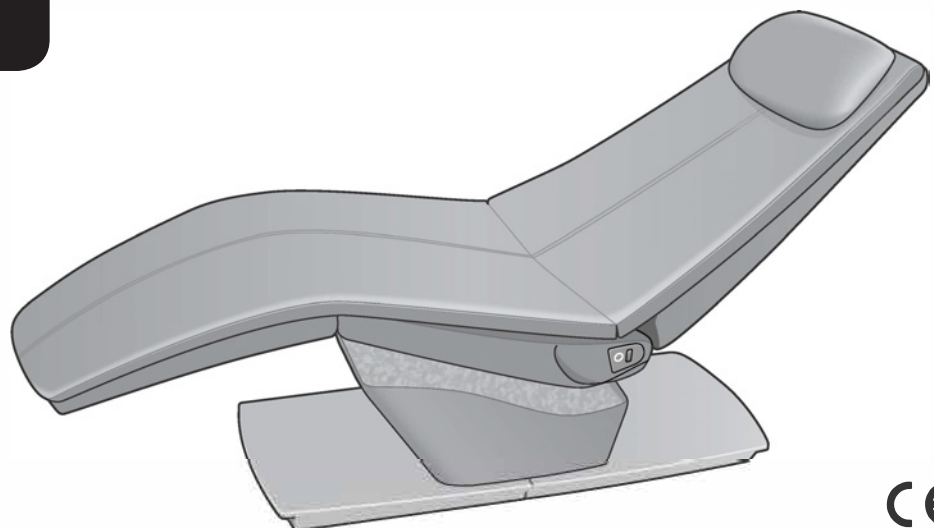
Afslapningsstol

Avslapningsstol

Кресло для расслабления

Model No. **PA-MR30**

ENGLISH



Before operating this unit, please read these instructions completely.

Lesen Sie diese Bedienungsanleitung vor der Inbetriebnahme des Sessels vollständig durch.

Avant d'utiliser le fauteuil, veuillez lire soigneusement le présent mode d'emploi.

Prima di mettere in funzione questo apparecchio, leggere tutte le istruzioni.

Antes de utilizar el Sillón de relax, lea por completo estas instrucciones.

Lees de gehele gebruiksaanwijzing voor de ingebruikname van de stoel.

Läs dessa anvisningar i sin helhet innan apparaten tas i bruk.

Læs venligst alle instruktioner, før du anvender denne enhed.

Les disse instruksjonene i sin helhet før enheten tas i bruk.

Перед началом эксплуатации данного устройства следует в полном объеме ознакомиться с данными инструкциями.

TABLE OF CONTENTS

BEFORE USE

ASSMEBLY INSTRUCTION	GB0
IMPORTANT SAFETY INSTRUCTIONS	GB2
GROUNDING INSTRUCTIONS	GB4
SPECIFICATIONS	GB5
PRODUCT INTRODUCTION	GB6
Features	GB6
Introduction of Courses	GB6
PART NAMES AND FUNCTIONS	GB7
Main Unit	GB7
Controller	GB8
SETTING UP THE UNIT	GB9
Where to Use the Unit	GB9
How to Set Up the Unit	GB9

HOW TO USE

PREPARATIONS	GB11
Controller	GB11
Notes for Batteries.....	GB11
Unit (Every Time Before Operation).....	GB11
BASIC OPERATION	GB13
Interrupting a Course.....	GB14
CONTENTS OF COURSES	GB15
Relax Course (Approx. 20 minutes).....	GB15
Refresh Course (Approx. 20 minutes)	GB15
Comfort Course (Approx. 120 minutes)	GB16
ADJUSTING THE CONTENTS OF A COURSE TO YOUR PREFERENCE	GB17
To Adjust the Swing Speed	GB17
To Adjust the Recline Angle of the Backrest.....	GB17
To Adjust the Volume of the Music.....	GB17
To Adjust the Intensity of Bass Waves	GB17
OPERATING THE UNIT WITHOUT USING THE CONTROLLER	GB18
CONNECTING EXTERNAL EQUIPMENT TO ENJOY MUSIC	GB18
CLEANING AND MAINTENANCE	GB19
Synthetic Leather Areas	GB19
Plastic Areas.....	GB19
Seat Fabric.....	GB19
TROUBLESHOOTING	GB20

ASSEMBLY INSTRUCTION

A. Assembly of the relax chair and the undercarriage



1. Lift until the footrest is in the upper position.



2. Ensure that the wheels are locked before assembling with the relax chair.



3. Tip the relax chair until resting on the back frame, and then push it forward.



4. Tip the relax chair downwards, and let it slide into the undercarriage ensuring that it fits properly into the frame.



5. Push the relax chair forward until it stops, and then lower it.



6. Screw the 4 screws (M6x10CH) on the sides and firmly attach the frame of the undercarriage to the relax chair.

B. Plugging in the power cable



1. Grab the power cable.



2. Plug it into the socket.



3. The plug is inserted correctly.

C. Mounting the armrest cover



1. Ensure that the wheels are locked before mounting on the covers.



2. Pull the armrest cover* over the frame of the armrest.



3. Close the zipper beneath.

ASSEMBLY INSTRUCTION

D. Adding the hygiene cover



1. Place the hygiene cover* on top of the seat.



2. Tilt the backside of the cover backwards.



3. Fix with the velcro on the backside of the seat.



4. Drag the long slip towards the short slip.




5. Fix the two slips together with the velcro.

E. Mounting the footrest protection cover



1. Pull the protection cover over the mattress part of the footrest.

*Stamskin antibacterial treated with Sanitized®PL 24-32. Can be washed at 60° . No tumbledrying .

IMPORTANT SAFETY INSTRUCTIONS

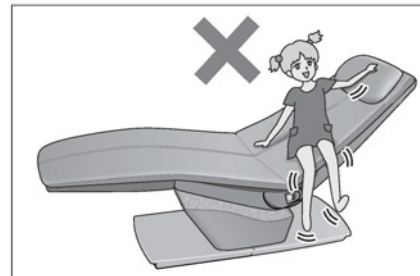
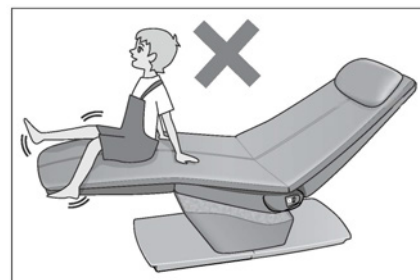
⚠️ WARNING

○ Follow these Precautions

1. Before using the rocking chair in a health care setting, a clinical assessment of the resident condition must be carried out by a trained caregiver.
2. While using the unit, if you start feeling sick, stop using it immediately and consult with your the person who is medical responsible.
Failure to observe this precaution may result in accident or poor medical conditions.
3. When reclining the backrest and the footrest, check that there are no children or pets around the unit.
Failure to observe this precaution may result in accident or injury.
4. Always insert the power plug all the way into the outlet.
Failure to observe this precaution may result in electric shock or fire due to heat generation.
5. Remove dust from the power plug periodically.
Failure to observe this precaution may result in electrical fire due to deterioration of insulation caused by dust and moisture.

○ Restrictions

1. Do not stand on the backrest or footrest.
2. Do not allow children to use the unit. Do not allow children to play on the unit, backrest, and footrest.
3. Before using the rocking chair in a health care setting, a clinical assessment of the resident condition must be carried out by a trained caregiver.
4. Do not exceed the rated values of the plug and the wiring or use any voltage other than the rated voltage.
Failure to observe this precaution may result in electric shock, malfunctioning or fire due to heat generation.
5. Do not damage the power cord or power plug.
(Do not damage, alter, expose to heat sources, bend, twist, pull forcibly, bundle or place heavy objects on the cord.)
Using the damaged power cord or power plug may result in electric shock, short-circuit or fire.
6. Do not plug/unplug the power plug with wet hands.
Failure to observe this precaution may result in electric shock.
7. Do not disassemble, repair, or modify the unit.
Failure to observe this precaution may result in fire or injury due to malfunctioning.
8. Keep the controller out of reach of children.
Children might remove the batteries and accidentally swallow them.
9. Do not install the batteries with the + and - poles oriented incorrectly.
Failure to observe this precaution may result in fire.



CAUTION

○ Follow these Precautions

1. Do not use the unit while wearing anything hard on your head like a hair accessory, etc.
Failure to observe this precaution may result in injury.
2. Always stop operation of the unit before you get off the unit.
Failure to observe this precaution may result in accident or injury.
3. When removing the power plug from the outlet, hold the power plug (not the power cord).
Failure to observe this precaution may result in electric shock or short-circuit.
4. When moving the unit with the wheels, remove all obstacles from around it, make sure the backrest is in the upright position, lift the footrest no higher than waist height, and roll it slowly.
Failure to observe this precaution may cause the unit to tip over, which may lead to damage or injury.
5. Place the unit on a totally flat surface.
Failure to observe this precaution may result in the unit tipping over.
6. Unplug the power plug immediately and contact an authorised service centre to arrange for repairs if the unit ceases to function or is otherwise not working properly.
Failure to observe this precaution may result in electric shock or fire.
7. If you feel sick by using the unit, stop using it and consult with your physicians.
Failure to observe this precaution may result in poor medical conditions.

○ Restrictions

1. Do not use the unit after drinking alcohol.
Failure to observe these precautions may result in accident or injury.
2. Do not put your hands or feet in the following gaps in the unit:
 - a) Gap between the backrest and the seat
 - b) Gap between the footrest and the seat
 - c) Cover area between the pedestal and the seatFailure to observe this precaution may result in injury.
3. Do not move the unit while someone is seated in it.
Failure to observe this precaution may result in accident or injury due to the unit tipping over.
4. Do not use the unit in bathrooms or other damp or humid places.
Failure to observe this precaution may result in electric shock or malfunction.
5. Do not spill water or liquids on the unit or controller.
Failure to observe this precaution may result in electric shock, short-circuit, or malfunction.
6. Always unplug the unit from the electrical outlet before cleaning.
Failure to observe this precaution may result in electric shock or burns.
7. Unplug the unit immediately if there is a power outage.
Failure to observe this precaution may result in accident or injury when the power is restored.
8. Always unplug the unit from the electrical outlet after using.
Failure to observe this precaution may result in electrical fire due to deterioration of insulation caused by dust and moisture.

GROUNDING INSTRUCTIONS

This product must be grounded. If it should malfunction or break down, grounding provides a path of least resistance for electric current to reduce the risk of electric shock. This product is equipped with a cord having an equipment-grounding conductor and a grounding plug. The plug must be plugged into an appropriate outlet that is properly installed and grounded in accordance with all local codes and ordinances.

⚠ DANGER

Improper connection of the equipment-grounding conductor can result in a risk of electric shock. Check with a qualified electrician or serviceman if you are in doubt as to whether the product is properly grounded. Do not modify the plug provided with the product - if it will not fit the outlet, have a proper outlet installed by a qualified electrician.

This unit has a grounding plug. Make sure that the product is connected to power outlet with the same configuration as the plug. Do not use an adaptor with this unit.

○ **Information on Disposal for Users of Waste Electrical & Electronic Equipment (private households)**

This symbol on the products and/or accompanying documents means that used electrical and electronic products should not be mixed with general household waste.

For proper treatment, recovery and recycling, please take these products to designated collection points, where they will be accepted on a free of charge basis.

Alternatively, in some countries you may be able to return your products to your local retailer upon the purchase of an equivalent new product.

Disposing of this product correctly will help to save valuable resources and prevent any potential negative effects on human health and the environment which could otherwise arise from inappropriate waste handling.

Please contact your local authority for further details of your nearest designated collection point.

Penalties may be applicable for incorrect disposal of this waste, in accordance with national legislation.



○ **For business users in the European Union**

If you wish to discard electrical and electronic equipment, please contact your dealer or supplier for further information.

○ **Information on Disposal in other Countries outside the European Union**

This symbol is only valid in the European Union.

If you wish to discard this product, please contact your local authorities or dealer and ask for the correct method of disposal.

SPECIFICATIONS

○ System

Power Supply	AC 230 V/50 Hz
Power Consumption	90 W
Standby Power Requirement	0 W
Timer	Relax course: Approx. 20 minutes Refresh course: Approx. 20 minutes Comfort course: Approx. 120 minutes
Operating Environment (Temperature)	0 to 40 °C

○ Main Unit (Chair)

Dimensions (H x W x D)	Approx. 110 cm x 70 cm x 102 cm
Weight of Unit	Approx. 46 kg (including cushion, pillow and controller)
Coated Cloth	Polyvinyl chloride leather (synthetic leather)
Buffer Material	Urethane

○ Amplifier

Vibration Amplifier (maximum output)	14 W 8 Ω 70 Hz Total harmonic distortion: 10%
Speaker Amplifier (maximum output)	14 W (7 W + 7 W) 8 Ω 1 kHz Total harmonic distortion: 10%

○ Speaker

Type	1-way, 1-speaker system
Impedance	8 Ω
Cone size	Full range: 7 cm x 2
Shielded Design	No

○ Vibration

Impedance	8 Ω
External Input Terminal	Stereo mini-jack (Diameter: 3.5 mm)

NOTE

Recommended user weight: 130 kg

- In case of being used by a person with more than the recommended user weight, there might be the possibility of a higher noise level.

PRODUCT INTRODUCTION

Features

○ Comfortable swing

You will feel like you are being rocked in a cradle. The comfortable swing the unit provides relaxes your mind and body.

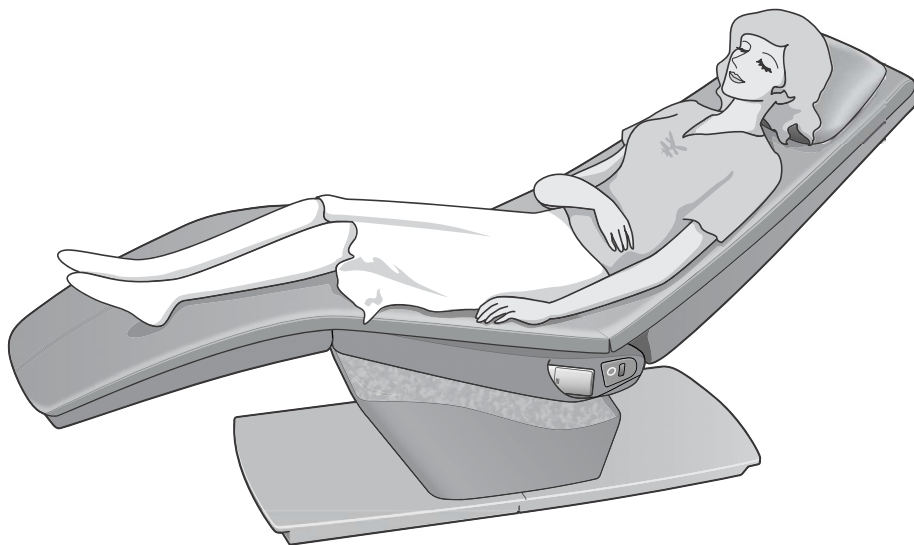
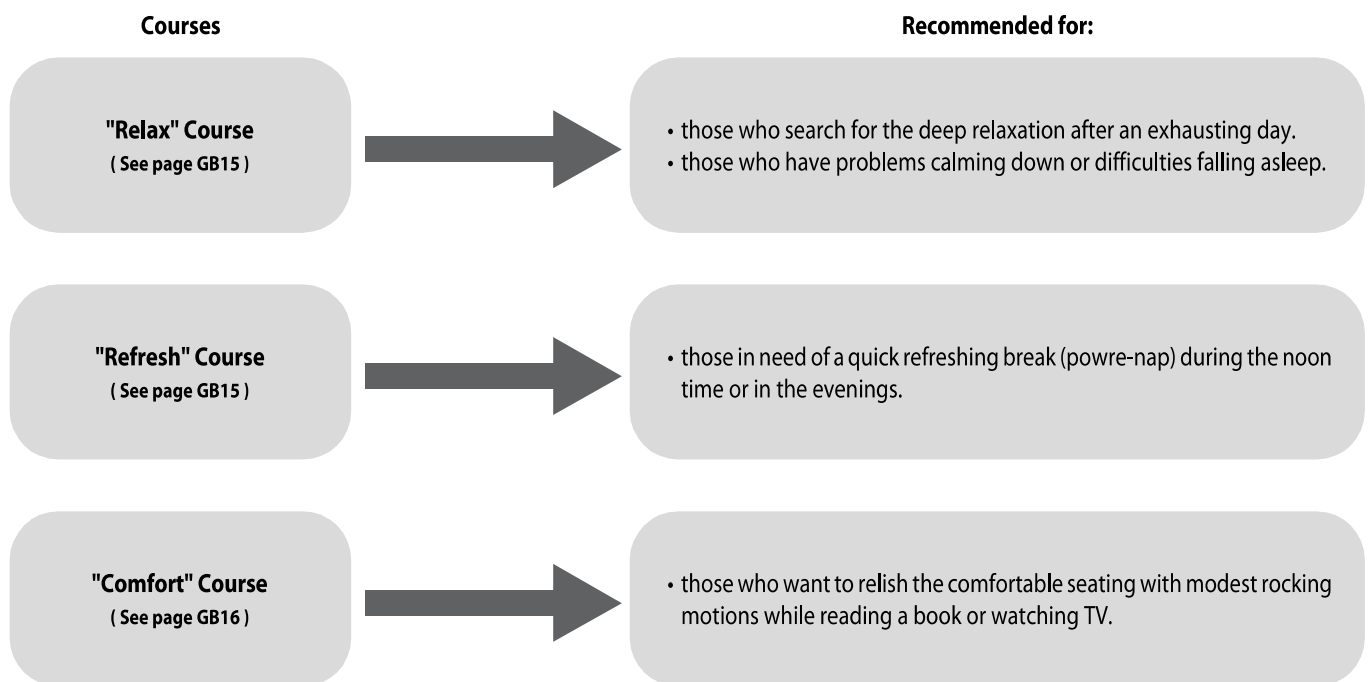
○ Bass waves generated from the music

The unit creates bass waves that are generated from the bass frequencies of music to allow you to relax.

Music has been preinstalled in the unit. You can also connect an external music source to the unit to enjoy the music you like.

Introduction of Courses

This product has three preset courses.

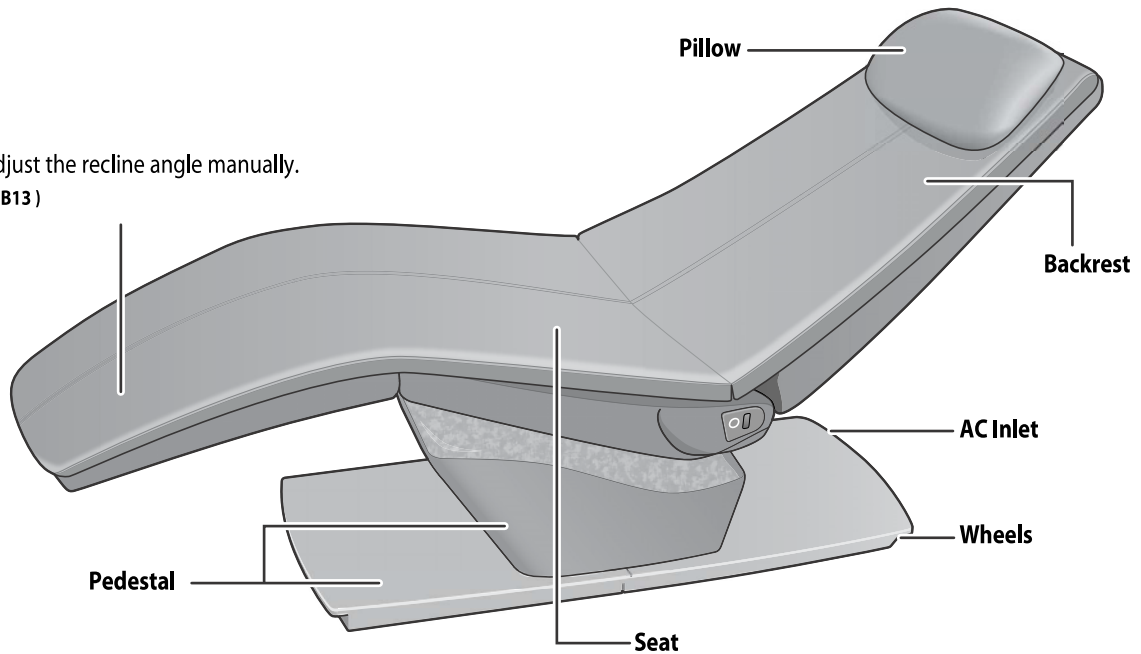


PART NAMES AND FUNCTIONS

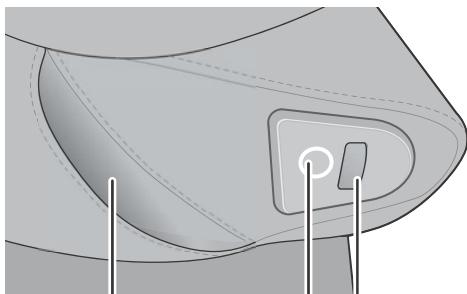
Main Unit

Footrest

You can adjust the recline angle manually.
(See page GB13)



Left side



Controller Holder

Unit Receiver

Unit Operation Button

You can operate the unit by using this button on the unit.
(See page GB18)

Right side



Unit Receiver

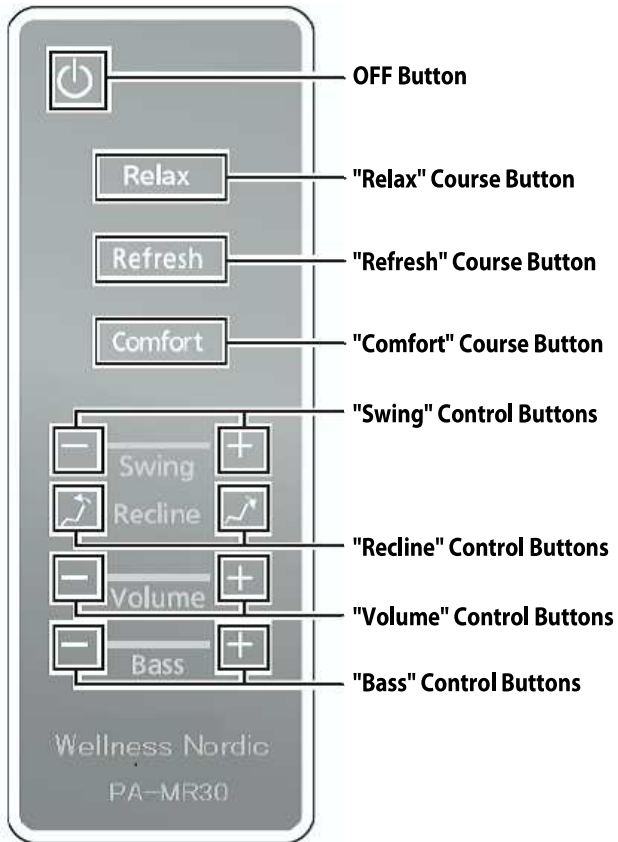
Main Power Switch

AUX Terminal (Stereo mini-jack)

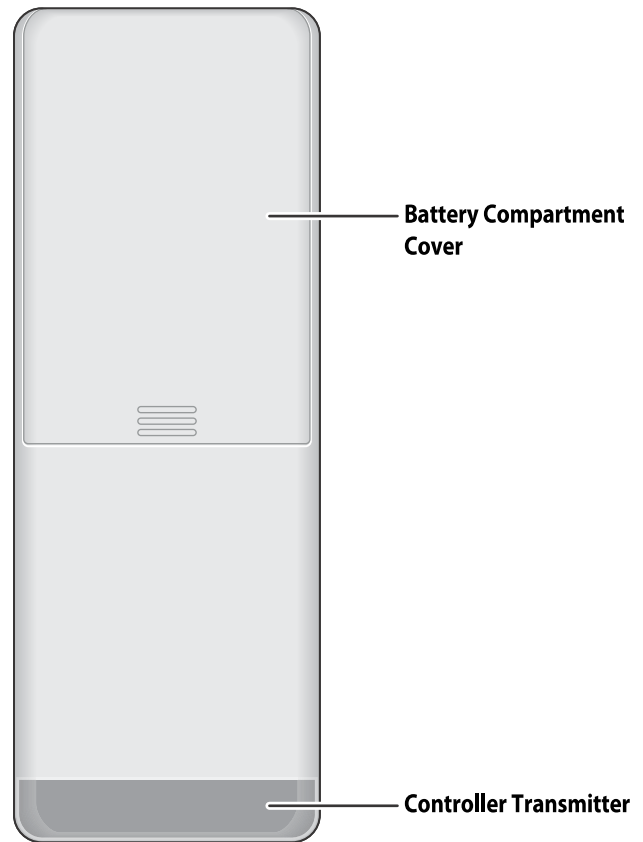
An external music source can be connected to the unit.
A cord for this purpose is not included with this unit.
(See page GB18)

Controller

Front



Rear

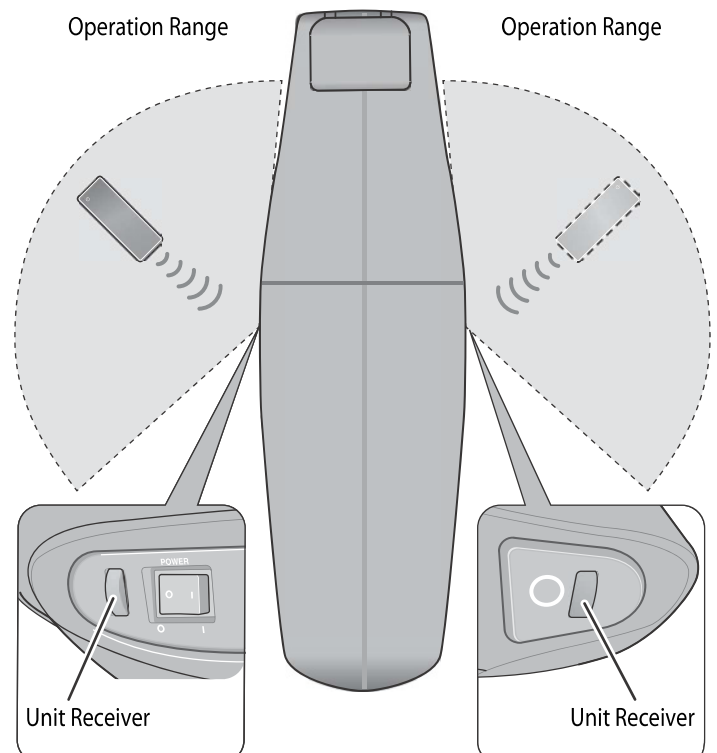


Controller Transmitter and Unit Receivers

- The operation range is approximately 1 m.
- Point the transmitter on the controller at a receiver on the unit.
- Controller signals do not reach the unit if they are away more than 1 m.
- When the unit receives a command transmission, you should hear a "beep" sound.

NOTE

- If two or more units are set up in the same area, keep some distance (approx. 2 m) or a shielded screen between them to prevent interference.
- An object located between the transmitter and receiver might hamper transmission.
- If the receiver is exposed to direct sunlight or the strong light of an inverter fluorescent lamp, transmission might be hampered.



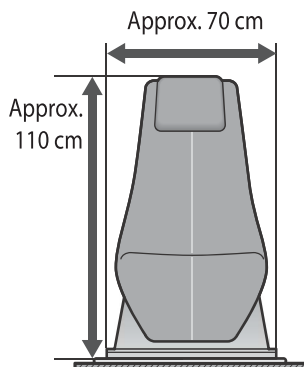
SETTING UP THE UNIT

Determine where to use the unit before unpacking it.

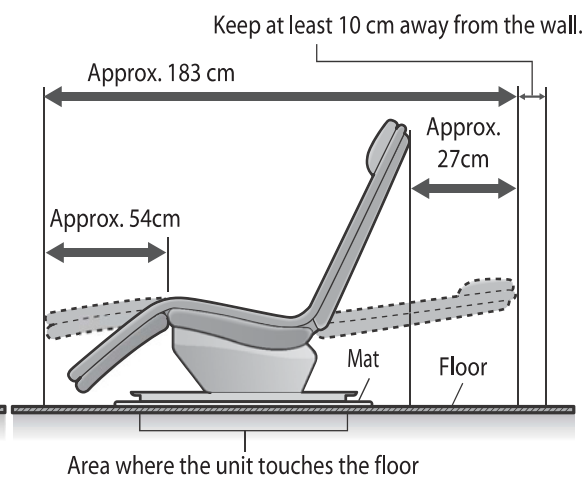
Where to Use the Unit

- Do not expose the unit to direct sunlight or high temperature, such as in front of a heating source, because this can cause discolouration or hardening of the surface material.
- Placing a mat or cloth under the unit is recommended to prevent floor damage. The size of the mat should be sufficient (at least 50 cm x 100 cm) to cover the areas where the unit touches the floor.
- Set the unit near the electrical outlet.
- Position the unit so that the back does not contact any other object (such contact may cause warping and lead to damage).
- Adjust the location of the unit to suit the height of the users.

○ Front View



○ Side View



⚠ CAUTION

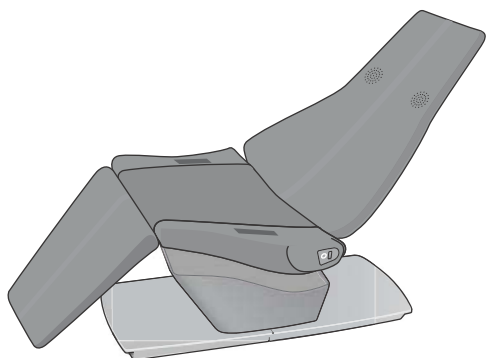
- Do not use the unit in bathrooms or other damp or humid places. Failure to observe this precaution may result in electric shock or malfunction.
- Place the unit on a totally flat surface. Failure to observe this precaution may result in the unit tipping over.

How to Set Up the Unit

1 Unpack the unit.

The cushion and the pillow have been attached to the unit before the unit ships.

Main unit

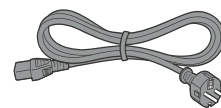


Accessories

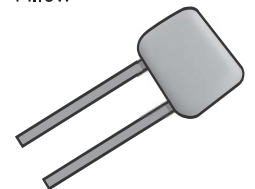
Controller



Power Cord



Pillow



Batteries for controller



[two LR03 (AAA) alkaline batteries for testing]

Cushion



2 Move and install the unit.

Since the unit is very heavy (approx. 46 kg: including cushion, pillow and controller), be careful to avoid back injuries. (The unit must be carried by two people.)

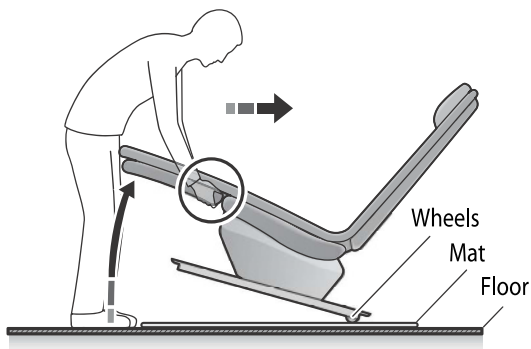
Put the unit down slowly and carefully watch around your feet.

⚠ CAUTION

- Do not drag or push the unit in an installed state.
 - Placing a mat or cloth under the unit is recommended to prevent floor damage.
 - Do not move the unit while someone is seated in it.
- Failure to observe this precaution may result in accident or injury due to the unit tipping over.

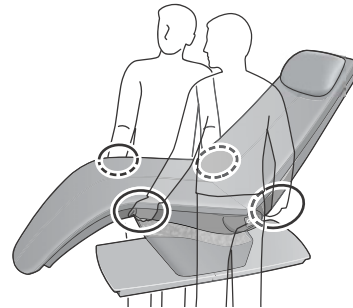
○ Using the wheels to move the unit

Move the unit by holding the both sides of the footrest firmly and lifting it no higher than waist height.



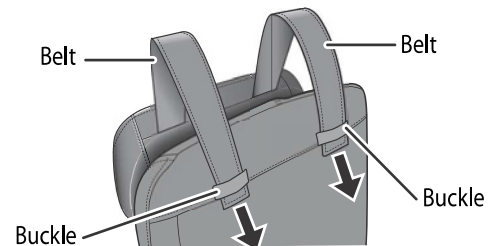
○ Lifting the unit

- Move the unit by having two persons lift it.
- Move the unit by having a person on each side hold the areas shown in the diagram below.
- You may damage the floor by dropping the unit if you do not hold it correctly.



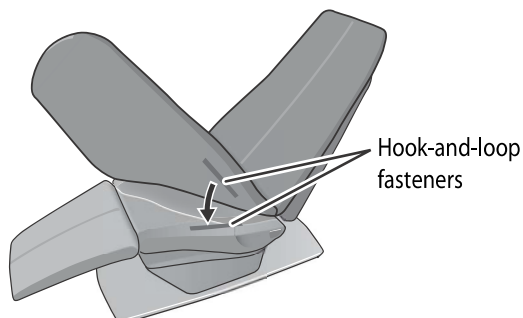
3 Attach the pillow and adjust the position.

You can raise or lower the pillow position using the belts on the pillow.

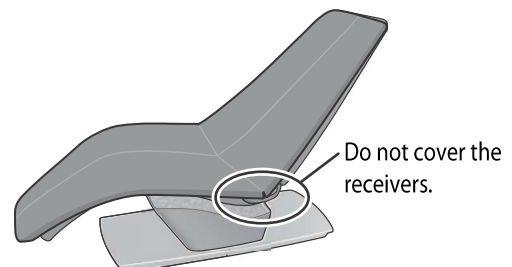


How to Attach the Cushion to the Unit

- Align the hook-and-loop fastener on the back side of the cushion with the hook-and-loop fastener on the unit.
- Both the unit and the cushion have hook-and-loop fasteners.



- Attach the cushion so that it is aligned with the side of the unit. Transmission could be hampered if a receiver is covered.

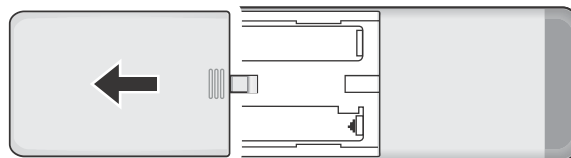


PREPARATIONS

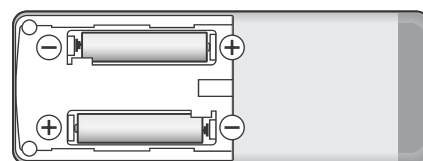
Controller

Insert batteries into the controller.

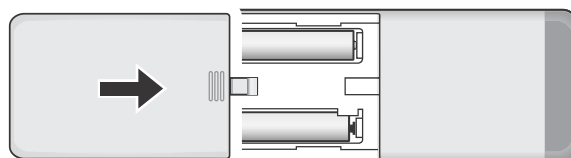
- 1 Open the battery compartment cover by sliding it in the direction of the arrow.



- 2 Insert two batteries into the controller.
Make sure that their orientations (+ and -) are correct, and insert the - end of each battery first.



- 3 Close the battery compartment cover by sliding it in the direction of the arrow.



Notes for Batteries

- If the unit is used once a day, the batteries should last about half a year. (If it becomes difficult to control the unit with the controller or if the indicators on the controller become dim, replace the batteries with new ones.)
- Since the batteries included with this unit are only provided to test the controller, they might be exhausted in less than half a year.
- When you replace the batteries, install two new LR03 (AAA) alkaline batteries at the same time. (If you use manganese batteries, they will not last long.)
- Do not use rechargeable batteries such as NiCd or nickel-metal hydride batteries because there are some differences in dimension, shape, and performance.
- Remove the batteries from the controller when the unit will not be used for a prolonged period of time to prevent leaks.

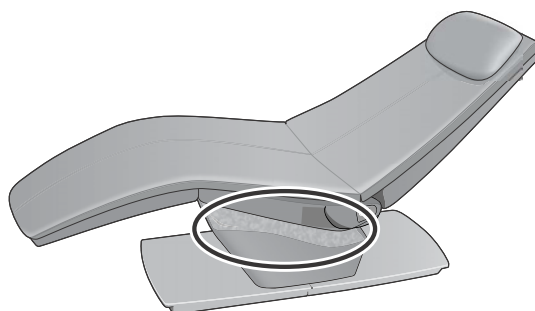
Unit (Every Time Before Operation)

Check the following before using the unit.

- 1 Make sure there are no tears or rips in the fabric on the pedestal.

⚠ WARNING

- Always check that the fabric on the pedestal has not been ripped before using the unit. Also check other areas to ensure that the fabric has not been ripped. No matter how small the rip, if you find one then immediately stop using the unit, unplug the power cord and have the unit repaired at an authorised service centre. Failure to observe this precaution may result in injury or electric shock.

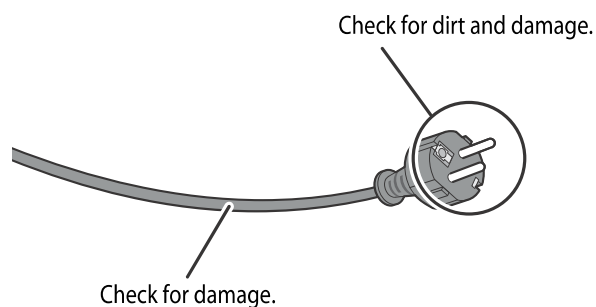


2 Check the power cord and the power plug.

⚠ WARNING

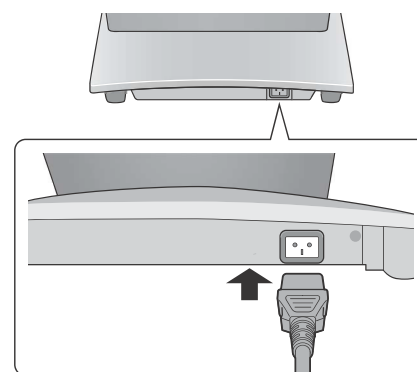
- Remove dust from the power plug periodically. Failure to observe this precaution may result in electrical fire due to deterioration of insulation caused by dust and moisture. Remove dust with a dry cloth.
- Do not damage the power cord or power plug. (Do not damage, alter, expose to heat sources, bend, twist, pull forcibly, bundle or place heavy objects on the cord.)

Using the damaged power cord or power plug may result in electric shock, short-circuit or fire. Contact your nearest authorised service centre for repair.



3 Insert the power cord into the AC inlet on the unit.

Be sure to insert the power cord all the way into the inlet.

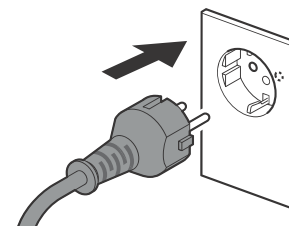


4 Insert the power plug into an electrical outlet.

⚠ WARNING

- Always insert the power plug all the way into the outlet. Failure to observe this precaution may result in electric shock or fire due to heat generation.
- Do not exceed the rated values of the plug and the wiring or use any voltage other than the rated voltage. (Do not use the unit with a transformer.)

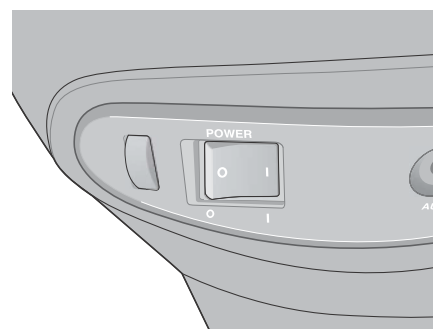
- Failure to observe this precaution may result in electric shock, malfunctioning or fire due to heat generation.
- Do not plug/unplug the power plug with wet hands. Failure to observe this precaution may result in electric shock.



5 Set the main power switch to the "I" (ON) position.

☑ NOTE

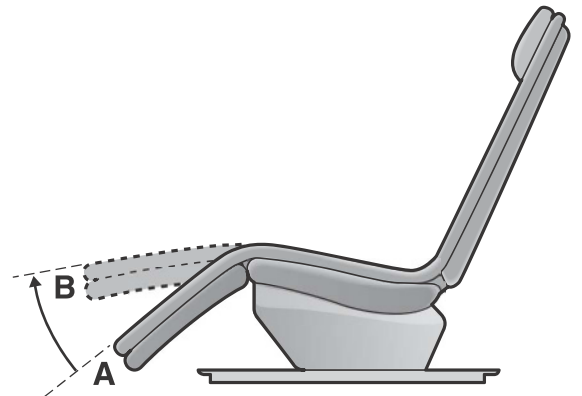
The power will turn off automatically if no operation is performed within 120 minutes after turning on the power.



BASIC OPERATION

1 Adjust the footrest angle.

You can freely adjust the angle of the footrest.
 When you raise the footrest as shown in the diagram on the right, you will hear a click and the footrest will stop at the position between "A" and "B".
 If the footrest is raised higher than the level position, it will return to the original "A" position.
 When doing this, be careful not to release your hands from the footrest quickly.



2 Sit on the unit.

Position yourself so that your back makes contact with the cushion on the unit.
 If there is gap between your back and the cushion, the bass waves might only be transmitted slightly.

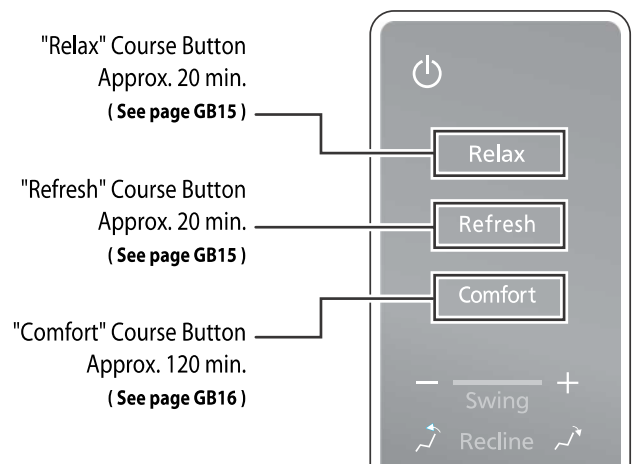


3 Press one of the buttons on the controller to light the indicators.

The indicators will light when any button on the controller is pressed.

4 Press the button for your selected course.

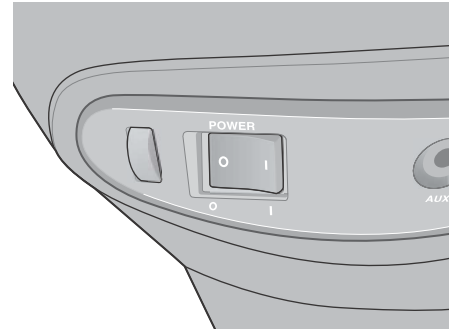
The selected course will start and continue until the end is reached, at which time the operation will automatically stop.
 It is possible to adjust the content of the selected course to your preference. (See page GB17)



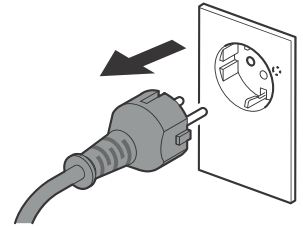
- 5 Set the main power switch to the "O" (OFF) position.

NOTE

The power will turn off automatically 120 minutes after the operation is complete even if you do not set the main power switch to the "O" (OFF) position.



- 6 Disconnect the power plug from the electrical outlet.



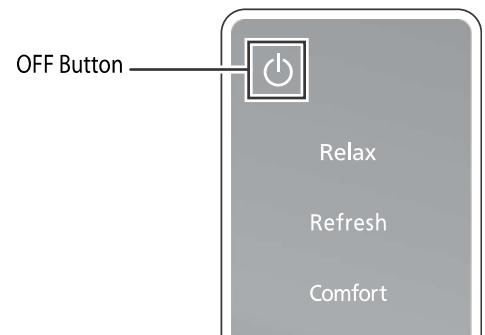
Interrupting a Course

- 1 Press the OFF button.

Operation will stop and the backrest will return from the reclined position to the original position.

CAUTION

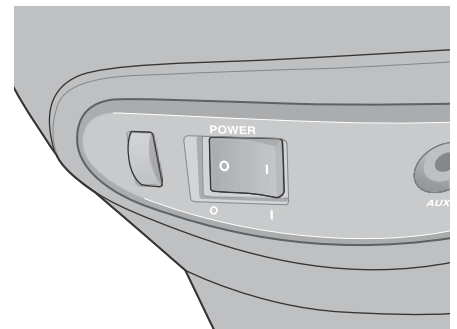
- Always stop operation of the unit before you get off the unit.
Failure to observe this precaution may result in accident or injury.



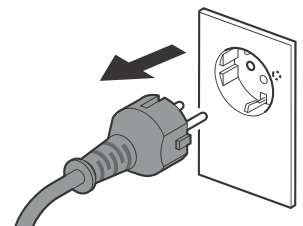
- 2 Set the main power switch to the "O" (OFF) position.

NOTE

The power will turn off automatically 120 minutes after the operation is complete even if you do not set the main power switch to the "O" (OFF) position.



- 3 Disconnect the power plug from the electrical outlet.



CONTENTS OF COURSES

The following three courses are preset in the unit.

Relax Course (Approx. 20 minutes)

Use when you want to lie down and relax.

Swing speed	
Volume of the preinstalled music	
Tempo of the preinstalled music	<p>(These are images of the volume and tempo of the preinstalled music. The volume and the tempo vary according to the music.)</p>
Reclined position	

NOTE

- This course has three preinstalled music that are played in turn.
- You cannot specify the play order of the preinstalled music.
- To change the preinstalled music, press the OFF button on the controller once to stop operation and then select the course again.

Refresh Course (Approx. 20 minutes)

Use when you want to relieve tension in a limited amount of time.




Swing speed	
Volume of the preinstalled music	
Tempo of the preinstalled music	<p>(These are images of the volume and tempo of the preinstalled music. The volume and the tempo vary according to the music.)</p>
Reclined position	

NOTE

- This course has three preinstalled music that are played in turn.
- You cannot specify the play order of the preinstalled music.
- To change the preinstalled music, press the OFF button on the controller once to stop operation and then select the course again.

Comfort Course (Approx. 120 minutes)

Use when you want to relax while reading or watching TV, for example.

Swing speed	Start  End
Reclined position	Start   End

NOTE

- There is no preinstalled music for the Comfort course.

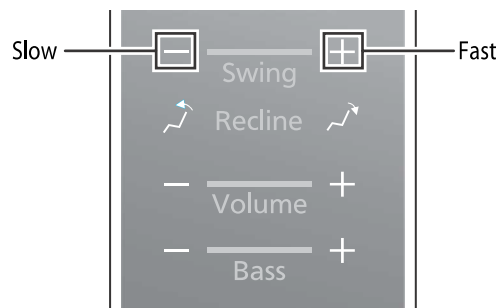
ADJUSTING THE CONTENTS OF A COURSE TO YOUR PREFERENCE

You can customise the content of the selected course during operation.

To Adjust the Swing Speed

Press the "Swing" control buttons.

Swing can be set to one of three speeds.

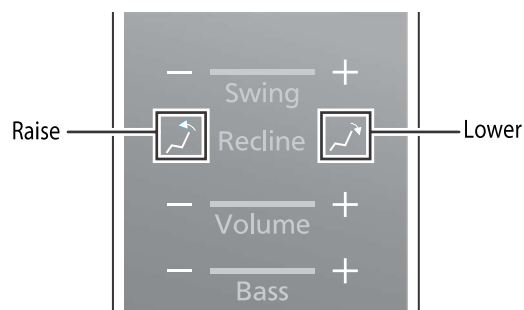


To Adjust the Recline Angle of the Backrest

Press and hold the "Recline" control buttons.

You can adjust the recline angle to your preferred position.

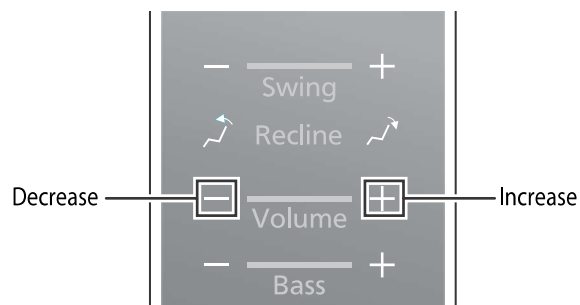
When the backrest has been raised or lowered as far as it can go, a "beep" sound is produced by the unit for confirmation.



To Adjust the Volume of the Music

Press the "Volume" control buttons.

The volume control can be set to one of six levels (including mute).



To Adjust the Intensity of Bass Waves

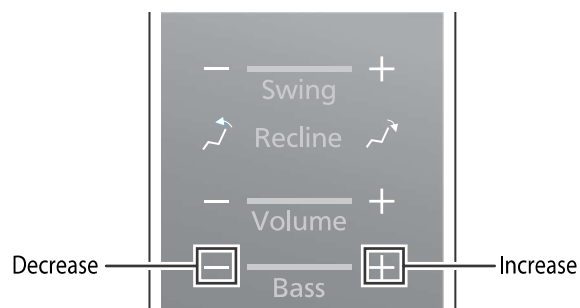
The unit vibrates with the bass frequencies of the music.

Press the "Bass" control buttons.

The bass control can be set to one of six levels (including mute).

NOTE

- When you turn off the main power switch, the contents set individually are reset.
- If you change the course during operation, the recline angle is reset.

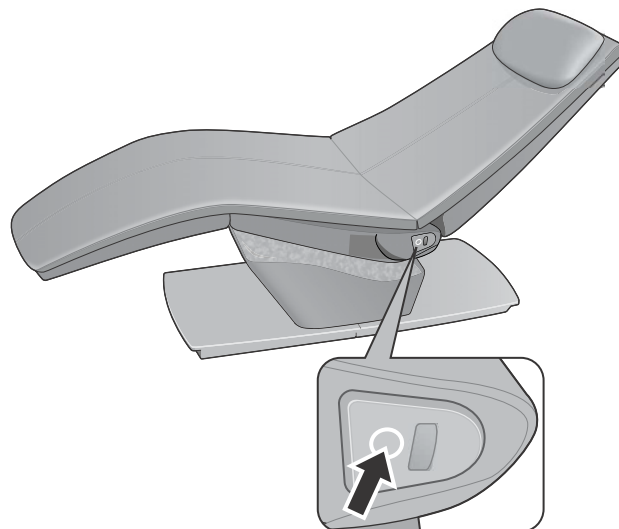
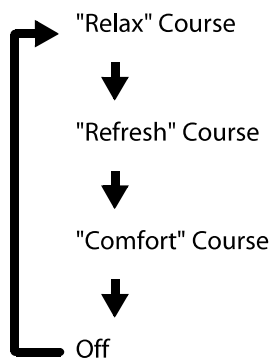


OPERATING THE UNIT WITHOUT USING THE CONTROLLER

You can operate the unit by using the unit operation button on the unit even if you lose the controller or the batteries in the controller are dead.

1 Press the unit operation button.

Pressing the unit operation button changes the course setting in the following order.

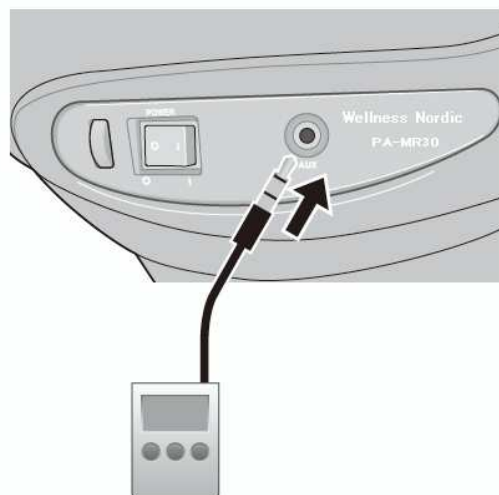


CONNECTING EXTERNAL EQUIPMENT TO ENJOY MUSIC

You can connect an external music source, including CD and digital audio players, to the unit. Doing so allows you to listen to the music you like and enjoy the bass waves generated by the sound of that music.

1 Insert the plug of the external music source into the "AUX" terminal of the unit.

- When you insert the plug, the sound from the external music source is automatically used by the unit. If you want to switch back to the preinstalled music, press the OFF button on the controller to stop operation. Then, select the course again.
- Before connecting the plug, turn down the volume on the external music source. After connecting it, adjust the volume to the desired level using the external music source controls and/or the controller.



NOTE

- The "AUX" terminal of the unit is compatible with stereo mini-jack (diameter: 3.5 mm).
- A cord for this purpose is not included with this product. Purchase a cord that is compatible with the external music source.
- We do not guarantee sound quality because the speaker is located under the cushion in the unit. Note that the sound quality is different from that of an ordinary audio device.

CLEANING AND MAINTENANCE

CAUTION

- Always unplug the unit from the electrical outlet before cleaning.
Failure to observe this precaution may result in electric shock or burns.

Synthetic Leather Areas

1 Wipe these areas with a soft, dry cloth.

NOTE

- When using a synthetic leather care kit (cloths containing any kind of chemical) that is commercially available, follow the precautions of that product.
- When the synthetic leather is particularly dirty, wipe it in the following manner.
 1. Soak a soft cloth in water or a 3% to 5% solution of mild detergent and wring it out thoroughly.
 2. Dab the surface with the moistened cloth.
 3. Rinse the cloth in water, wring it out thoroughly, and then wipe any remaining detergent from the surface.
 4. Wipe the surface with a soft, dry cloth.
 5. Allow to dry naturally.
- If the dirt is not removed sufficiently, wipe the surfaces using commercially available melamine foam sponge moistened with the mild detergent solution.
- Do not use a hair dryer to dry the surface more quickly.
- Since colours may transfer from clothing to the synthetic leather surface, be careful when using the unit with clothing such as jeans or coloured clothes.
- Do not allow these areas to come in contact with plastic for extended periods of time as this may lead to discolouration.
- Do not use thinners, benzene, or alcohol.

Plastic Areas

1 Wipe these areas with a cloth moistened with mild detergent and thoroughly wrung out.
Do not use thinners, benzene, or alcohol.

2 Wipe the areas with a cloth moistened with plain water and thoroughly wrung out.
Make sure you thoroughly wring out the cloth before wiping the controller.

3 Allow the areas to dry naturally.

Seat Fabric

1 Wipe the seat fabric with a cloth moistened with mild detergent and thoroughly wrung out.
Do not use thinners, benzene, or alcohol.

2 Use water or a mild detergent and brush on areas where the seat fabric is particularly soiled.
To avoid damage to the fabric, be careful not to brush it too much.

3 Wipe the fabric with a cloth moistened with plain water and thoroughly wrung out.

4 Allow the fabric to dry naturally.

TROUBLESHOOTING

Problem	Cause and Remedy
The unit will not operate at all.	<ul style="list-style-type: none"> • The power cord has been disconnected from AC inlet. (See page GB12) • The power plug has been disconnected. (See page GB12) • The main power switch on the unit has been set to the "O" (OFF) position. (See page GB12) • A course has not been selected on the controller. • The operation signal of the controller is not transmitted to the unit. <ul style="list-style-type: none"> » Check the transmitter and operation range of the controller before using it. (See page GB8) (When the operation signal is transmitted to the unit, a "beep" sound is produced by the unit for confirmation.)
No sound is produced. No vibration is produced.	<ul style="list-style-type: none"> • The sound volume or vibration volume is set to the minimum. (See page GB17) • The connected music source has not been played. (See page GB18) • The sound volume of the connected music source is set to the minimum. (See page GB18) • The music source is disconnected during the operation. <p style="margin-left: 20px;">When you connect an external music source to the unit, the sound output will be from the external music source mode.</p> <p style="margin-left: 20px;">If you want to listen to the music preinstalled in the unit again, turn the power off once using the controller.</p> <p style="margin-left: 20px;">(When the power is turned off, the music source is reset to the built-in sound.)</p>
Noise is heard.	<ul style="list-style-type: none"> • The unit is affected by strongly magnetized equipment such as TVs. <ul style="list-style-type: none"> » Turn off the power of TVs and similar device or place them away from the unit where noise is not heard.
The unit does not respond to the controller.	<ul style="list-style-type: none"> • The operation signal of the controller has not been transmitted to the unit. <ul style="list-style-type: none"> » Check the transmitter and operation range of the controller before using it. (See page GB8) (When the operation signal is transmitted to the unit, a "beep" sound is produced by the unit for confirmation.) • The batteries might have lost their charge.
Sound quality is poor.	<ul style="list-style-type: none"> • This product is designed to use swing, vibration and sound for relaxation. <p style="margin-left: 20px;">The sound quality of the unit is poorer than an ordinary audio device because sound is only a secondary support function.</p>
The unit has been damaged.	<ul style="list-style-type: none"> • Stop using the unit immediately.
The power cord or power plug is abnormally hot.	<ul style="list-style-type: none"> • Stop using the unit immediately.

GB20