

INSTRUCTIONS FOR USE

Enterprise 5000X (E5X)



WARNING

To avoid injury, always read this Instructions for Use and accompanied documents before using the product.



Mandatory to read the Instructions for Use

Design Policy and Copyright

® and ™ are trademarks belonging to the Arjo group of companies.

© Arjo 2019.

As our policy is one of continuous improvement, we reserve the right to modify designs without prior notice. The content of this publication may not be copied either whole or in part without the consent of Arjo.

Contents

Warnings, Cautions and Notes.....	4
General Warnings	4
1. Introduction	6
Product overview – Head Board On Mattress Platform.....	8
Head Board On Base (Optional)	8
Folding split side rails (Optional)	10
2. Clinical Applications	11
Intended use	11
Indications	11
Contra-indications	12
3. Installation	13
Mattresses.....	15
4. Operation	17
Brakes and steering	17
Foot Pedal for Adjustment of Bed Height (Optional)	18
How to use the 5th Wheel (Optional)	19
Side rails (Optional).....	20
CPR backrest release	24
X-ray cassette tray (Optional).....	25
Bed length adjustment	27
Bedstripper (linen shelf) (Optional).....	29
Lifting pole and accessory sockets.....	30
Drainage bag rails	31
Head and foot boards.....	31
Mattress platform sections	32
Head and foot boards.....	32
Underbed light (Optional)	32
Adjusting the mattress platform.....	32
Patient handset	34
Attendant Control Panel (ACP)	36
Adjusting the calf position.....	38
Function lockout	39
Backup battery	40
Duty cycle lockout	41
5. Product Care	42
Decontamination	42
Preventive maintenance.....	44
Battery test.....	46
Troubleshooting	47
Fault indications	48
Product lifetime	48
6. Accessories and Cables	49
7. Technical Data.....	50
8. Warranty and Service.....	54
9. Electromagnetic Compatibility.....	55

Warnings, Cautions and Notes



WARNING

Indicates possible hazards in procedures or conditions which, if not correctly followed, could result in death, injury or other serious adverse reactions.



CAUTION

Indicates possible hazards in procedures or conditions which, if not correctly followed, could result in equipment damage or failure.

NOTE

Explains or amplifies a procedure or condition.

General Warnings



WARNING

Keep these instructions in a safe place; you may need to refer to them later on.

Read and understand these instructions before operating the bed. Carers must be trained in the proper use of this product, its functions and controls, and any accessories.

These instructions are mandatory for the safe and effective use of this product, including the safety of patients and carers.

Unauthorised modifications or repairs to this product may affect its safety and will invalidate any warranty. Arjo accepts no liability for any incident, accident or reduction in performance that may occur as a result of such repairs or modifications.

To avoid the risk of electric shock, this product must only be connected to an electricity supply with a protective earth.

Do not smoke or use naked flames near this equipment and do not expose it to extremes of temperature.

Do not use electrically powered beds in the presence of flammable gases such as anaesthetic agents e.g. in operating theatres.

The bed is intended for indoor use only and should not be used outside a normal hospital environment.

Do not use accessories that have not been designed or approved for use with the bed.

The user should carry out a risk assessment before using the bed with equipment from other suppliers or manufacturers.



WARNING

Always apply the brakes when the bed is stationary.

To reduce the risk of injury due to falls, lower the bed to minimum height when the patient is unattended.

Patients should not be left in the Trendelenburg position when unattended.

To reduce the risk of overbalancing, do not allow the patient to get on or off the bed when the mattress platform is in a tilted (head down or foot down) position.

Where risk assessment indicates that a patient is at high risk of entrapment owing to their medical condition or other circumstances, and where there is no medical benefit from their being left in a contoured position, place the mattress platform in the flat position and disable the controls (Function lockout) when the patient is unattended.

When the bed is operated, make sure that obstacles such as bedside furniture do not restrict its movement.

When moving or operating the bed, take care that any attached accessories (e.g. lifting pole) do not strike doors, ceilings, etc.

Hold the head board or foot board when pushing or pulling the bed; do not hold the side rails or any attached accessories.

Before operating the bed, make sure the patient is positioned correctly to avoid entrapment or imbalance.

Take care not to squeeze or trap trailing cables from the handset/ACP and other equipment between moving parts of the bed.

Take care not to allow clothing or bed linen to become snagged on moving parts of the bed.

Do not place the bed on an incline greater than 7° as this may, in extreme circumstances, cause the bed to overbalance.

This product complies with the requirements of applicable standards for electromagnetic compatibility (EMC). However, medical electrical equipment requires special precautions regarding EMC and should be installed and used in accordance with the EMC information in the product service manual.

Medical electrical equipment can be affected by portable and mobile radio frequency communications equipment e.g. cellular telephones.

If a serious incident occurs in relation to this medical device, affecting the user, or the patient then the user or patient should report the serious incident to the medical device manufacturer or the distributor. In the European Union, the user should also report the serious incident to the Competent Authority in the member state where they are located.

1. Introduction

These instructions contain information for the installation, use and maintenance of the Arjo **Enterprise® 5000X** range of acute care hospital beds. These beds have multiple functions to provide the optimum nursing position for both patient and carer.

Standard features

- Electrical adjustment of bed height and leg section elevation
- Electrically operated retracting backrest
- Bio-Contour® advanced profiling system
- Auto-Chair facility
- Electrical adjustment of head down tilt (Trendelenburg) and foot down tilt (reverse Trendelenburg)
- Manual selection of calf section vascular position
- Mattress support surface with removable panels
- Adjustable length mattress platform
- Drainage bag rails

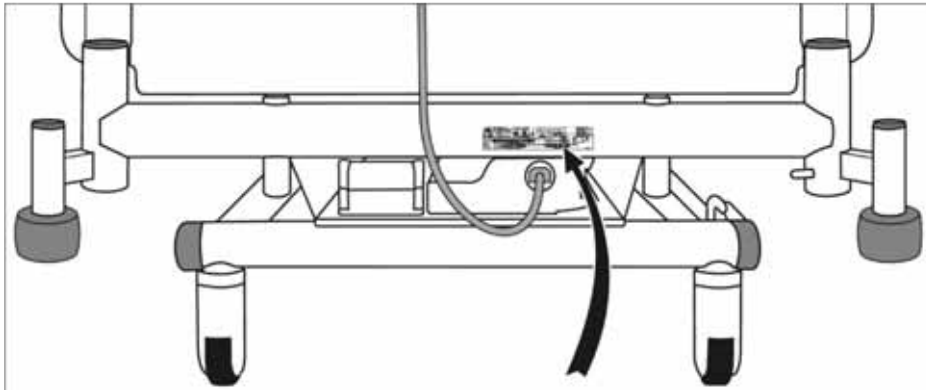
Optional features

- $\frac{3}{4}$ length folding side rails with 3 or 5 bar
- Folding split side rails
- 125mm (single wheel) or 150mm (single or dual wheel) castors
- Bedstripper (linen shelf)
- Underbed lights
- Full width brake bar
- 5th Wheel
- DIN accessory rails
- Radio translucent backrest with X-ray cassette tray
- Flat or curved platform sections
- Patient handset with optional functionality
- Lockable foot board and head board
- IndiGo™ Intuitive Drive Assist
- Foot Pedal for Adjustment of Bed Height

Optional features are specified by the customer at the time of ordering.

The chosen options are indicated by the equipment model number.

The model number **REF** and serial number **SN** can be found on the specification label; this is located on the bed frame below the head board.



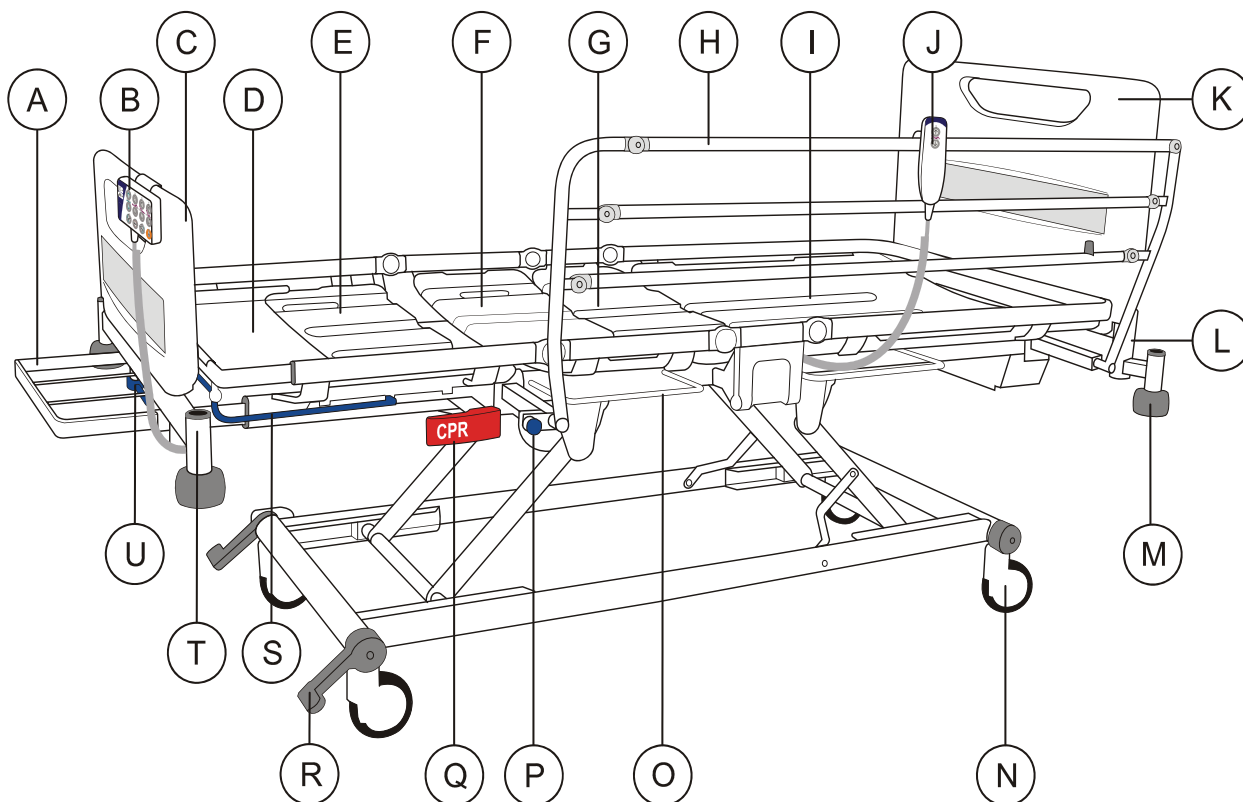
Specification label



CAUTION

Before using the bed, ensure that the “Power In” rating on the specification label is compatible with the local electricity supply.

Product overview – Head Board On Mattress Platform



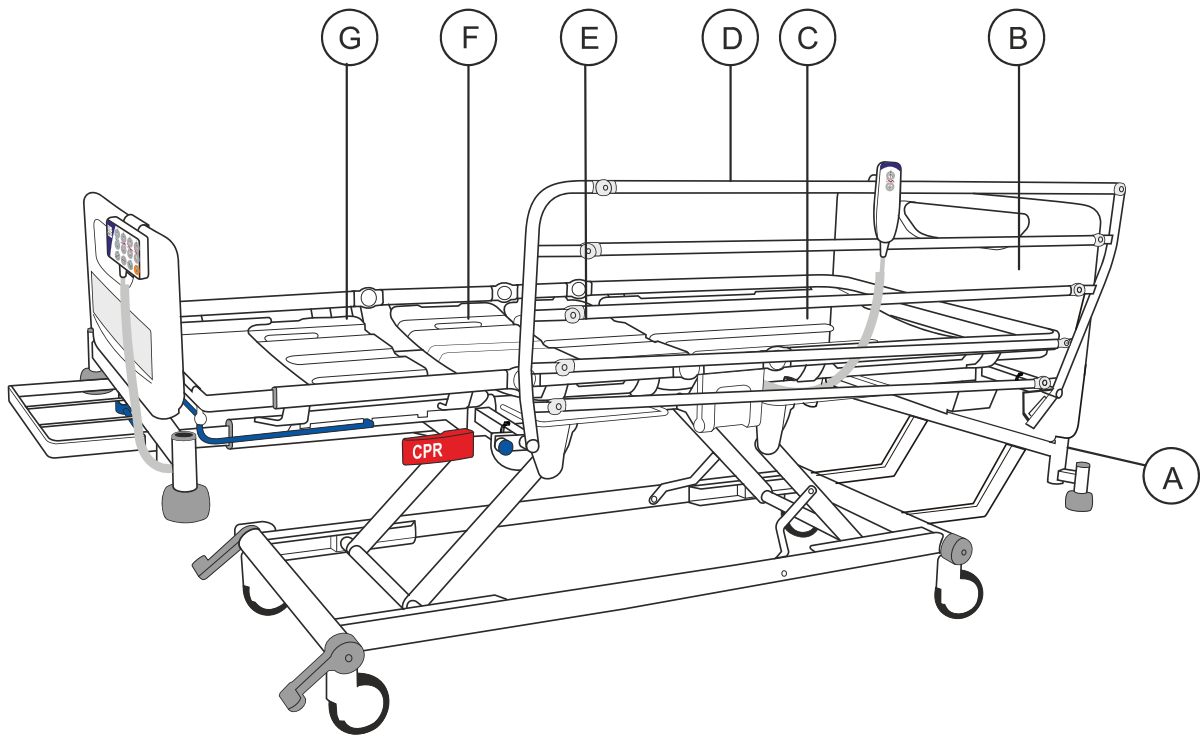
- | | |
|---|-----------------------------|
| A. Bedstripper (linen shelf) (Optional) | L. Lifting pole socket |
| B. Attendant Control Panel (ACP) | M. Roller buffer |
| C. Foot board | N. Castor |
| D. Calf extension sheet | O. Drainage bag rail |
| E. Calf section | P. Side rail operating knob |
| F. Thigh section | Q. CPR release handle |
| G. Seat section | R. Brake pedal |
| H. 3 bar folding side rail (Optional) | S. Extension catch bar |
| I. Backrest section | T. Accessory socket |
| J. Patient handset | U. Extension locking handle |
| K. Head board on mattress platform | |

NOTE

5th Wheel (Optional) is not shown on the picture, see page 19.

Head Board On Base (Optional)

The bed can be optionally configured with the head board mounted on the base of the bed. The bed can also be configured with 3 or 5 bar easily removable side rails. The easily removable side rails are described more in section “To remove and install the 3 bar or 5 bar $\frac{3}{4}$ length folding side rail:” in Chapter 4.



- A. Lifting pole socket on base frame
- B. Head board on base frame
- C. Backrest with X-ray cassette tray
- D. 3 or 5 bar removable side rails
- E. Flat deck for seat section
- F. Flat deck for thigh section
- G. Flat deck for calf section

NOTE

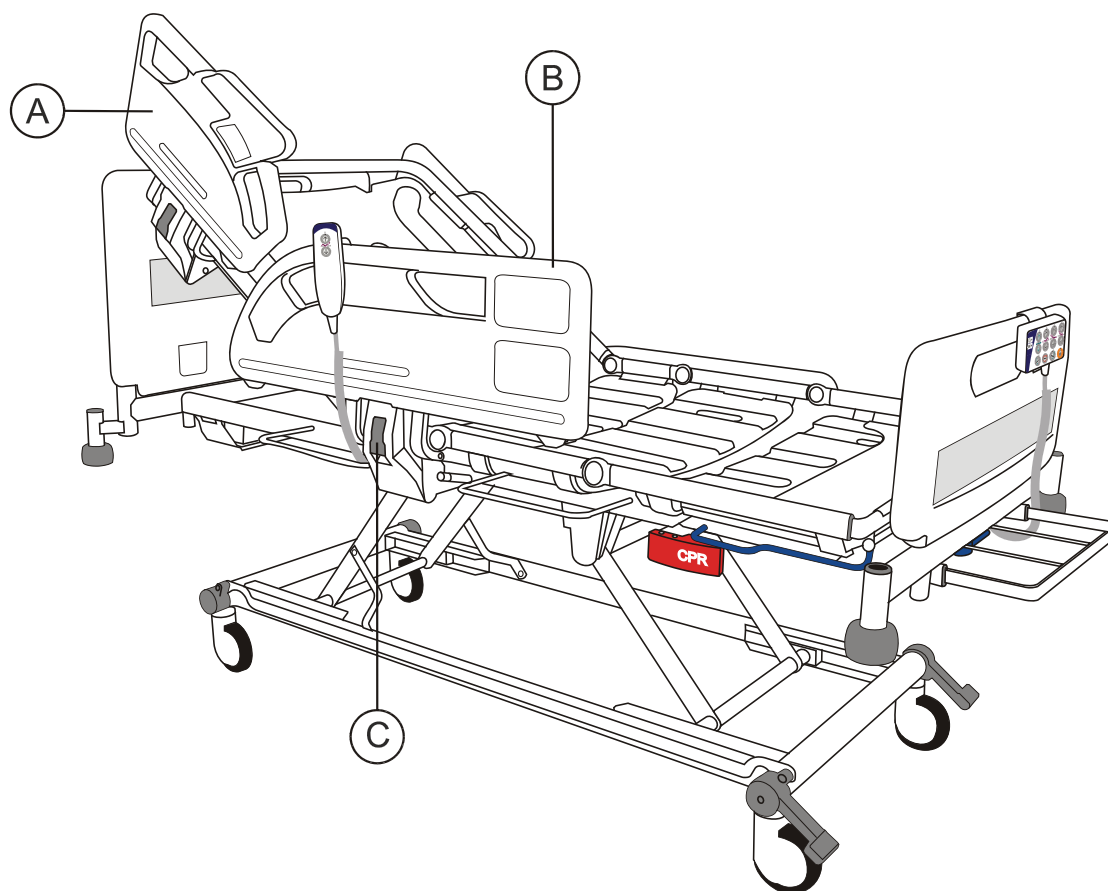
Flat deck sheets are supplied as standard when the backrest with X-ray cassette tray is present.

In this configuration all other functionality of the bed remains identical.

Folding split side rails (Optional)

The bed can be optionally configured to use folding split side rails.

In this configuration a side rail release lever is located directly below the side rail. The release lever is described more in section “To lower the folding split side rails:” in Chapter 4.



- A. Head end side rail
- B. Foot end side rail
- C. Side rail release lever

In this configuration all other functionality of the bed remains identical.

2. Clinical Applications



WARNING

To ensure the patient can use the bed safely, their age, size and condition should be assessed by a clinically qualified person.

The use of head down tilt (Trendelenburg) or foot down tilt (reverse Trendelenburg) may be contraindicated for certain medical conditions. The tilt facility should only be used under the guidance of a clinically qualified person after assessment of the patient's condition.

Intended use The bed is suitable for use in Application Environments 1, 2 and 3 as defined in IEC 60601-2-52.

Application Environment 1

Intensive/critical care provided in a hospital where 24-hour medical supervision and constant monitoring is required, e.g. ITU, ICU and CCU.

Application Environment 2

Acute care provided in a hospital or other medical facility where medical supervision and monitoring is required, e.g. general medical and surgical wards.

Application Environment 3

Long term care in a medical area where medical supervision is required and monitoring is provided if necessary, e.g. nursing homes and geriatric facilities.

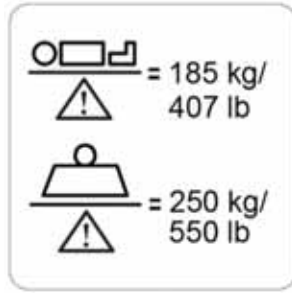
Indications

The bed is appropriate for high dependency patients who pose a movement and handling risk and / or whose clinical condition requires that they are positioned with minimal physical handling.

Patients with a moderate amount of independence can, at the carer's discretion, use the controls to adjust their own position.

The mattress platform can be positioned to assist with treatment of a patient as required within the clinical settings defined in Application Environments 1, 2 and 3.

Contra- indications



The maximum recommended patient weight is 185kg.

The safe working load of the bed is 250kg.

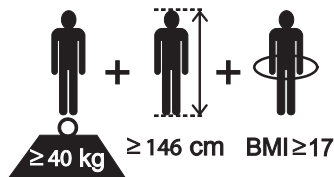
The safe working load is calculated as follows (in accordance with IEC 60601-2-52):

Maximum patient weight	185kg
Mattress	20kg
Accessories (including attached loads)	45kg
TOTAL	250kg



WARNING

If the combined weight of the mattress and accessories exceeds 65kg, the maximum patient weight must be reduced accordingly.



The recommended patient size is; weight equal or above 40kg (88lb), height between 146cm (57 ins.) and 190cm (74 ins.) and BMI equal or above 17.

At the discretion of the carer, patients taller than 190cm may be accommodated by extending the bed - refer to "Bed length adjustment" in Chapter 4. Ensure that the patient's height does not exceed the "In-bed length" shown in Chapter 7.

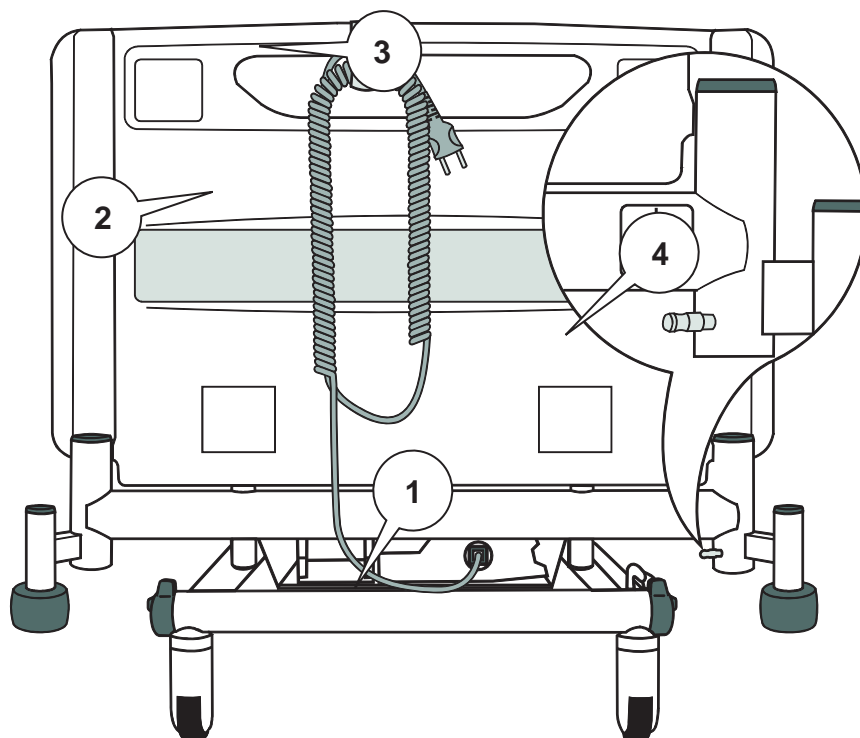
3. Installation

Connect the mains plug to a suitable socket outlet. Make sure the mains plug is easily accessible so it can be disconnected quickly in an emergency.

When the bed is connected to the electricity supply, indicators will light on the control box (1) and Attendant Control Panel.

The power supply cord (2) is fitted with a plastic hook (3). When not in use or before moving the bed, clip the hook onto the head board, coil up the cable and place it over the hook as shown.

To isolate the bed from the electricity supply, disconnect the mains plug from the socket outlet.



Cable storage and potential equalisation terminal



A potential equalisation terminal (4) is located at the head end of the bed.

When other electrical equipment is within reach of the patient or carer, potential differences between the equipment can be minimised by connecting together their potential equalisation terminals.



WARNING

If the power cord or mains plug is damaged, the complete assembly must be replaced by authorised service personnel. Do not remove the fitted plug, or use a rewirable plug or adapter.

Make sure the power supply cord is not stretched, kinked or crushed.

Do not allow the power supply cord to trail on the floor where it may cause a trip hazard.

Make sure the power supply cord does not become entangled with moving parts of the bed.

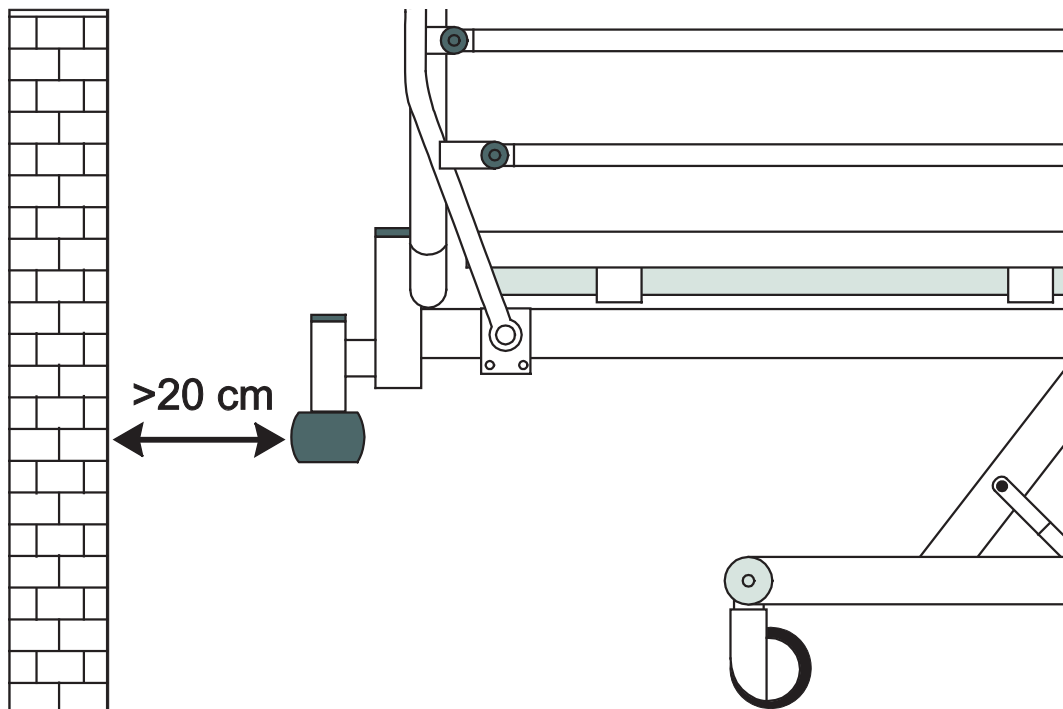
Disconnect the power supply cord from the electricity supply, and store it as shown, before moving the bed.



CAUTION

Before the first use, or if the bed has been unused for more than three months, connect the bed to the electricity supply for at least 24 hours to allow the backup battery to recharge fully. Failure to do this may reduce the life of the battery.

The bed should be positioned with the roller buffers at least 20cm from the rear wall to prevent the head board striking the wall when the bed is in head down tilt (Trendelenburg).



Recommended positioning from rear wall

Mattresses



WARNING

Always use a mattress of the correct size and type. Incompatible mattresses can create hazards.

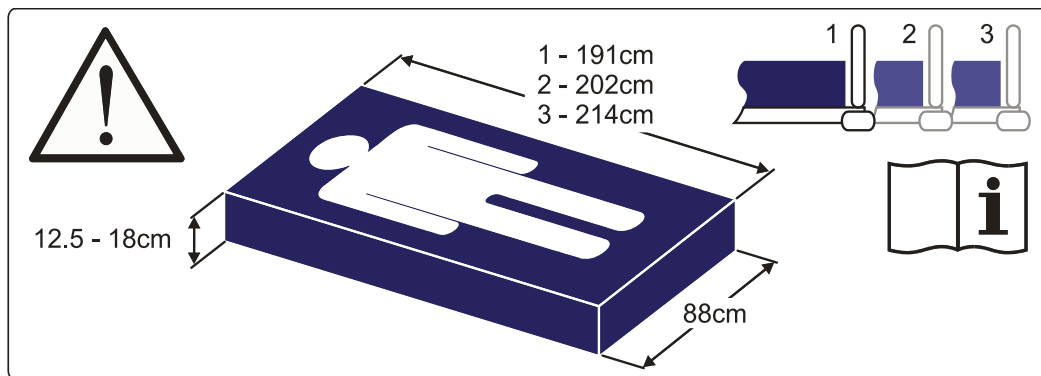
Entrapment hazards may exist when using a very soft mattress, even if it is the correct size.

The maximum recommended mattress thickness for use with side rails is 18cm.

Read the instructions for use supplied with the mattress.

Where the maximum patient weight specified for the mattress is different to that specified for the bed, the lower value applies.

A label on the calf extension sheet indicates the correct mattress size:



Mattress size label

NOTE

The numbers 1, 2 and 3 on the label indicate different mattress platform lengths; refer to “Bed length adjustment” in Chapter 4.

Continued on next page

***Mattresses and
side rails
(Optional)***

When choosing bed and mattress combinations, it is important to consider the use of side rails based on clinical assessment of each individual patient and in line with local policy.

When assessing the suitability of a mattress for use with side rails, the following factors should be considered:

- The bed is designed to provide an acceptable side rail height when used with a foam mattress up to 18cm thick.
- Specialist powered air / foam replacement mattresses will typically envelop the patient when loaded and can generally be deeper than a foam mattress without compromising safety. Other makes of specialist mattress replacement must be assessed individually prior to use to verify sufficient clearance is maintained.
- Mattress overlays are not recommended for use with this bed.
- To ensure compliance with IEC 60601-2-52, an approved Arjo mattress should be used. Compliance with this standard when using other mattresses must be validated by the user.
- For more information on suitable mattresses and mattress replacements, contact your local Arjo office or approved distributor. A list of Arjo offices can be found at the back of this manual.

4. Operation



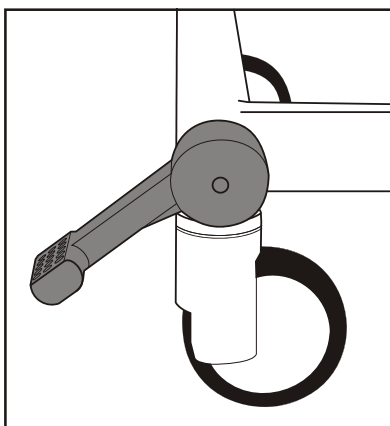
WARNING

Operate the brake pedals with your feet while wearing suitable shoes. Do not operate the pedals with your hands.

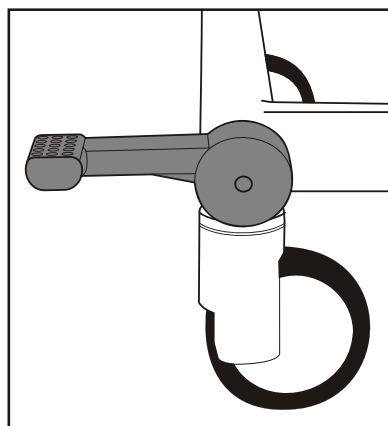
Brakes and steering

The brake pedals at the foot end of the bed have three positions as shown:

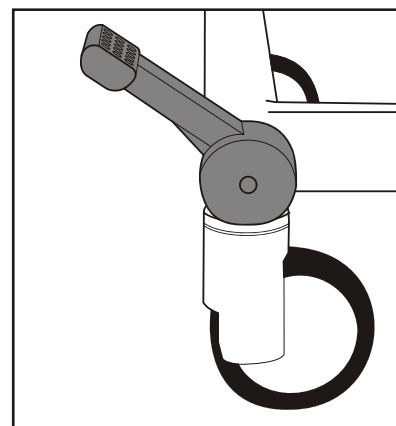
- BRAKE: brakes are applied on all four castors.
- FREE: all four castors are free to rotate and swivel.
- STEER: all four castors can rotate, but the steering castor (see below) is locked so that it cannot swivel. This helps to keep the bed on a straight line.



BRAKE



FREE



STEER

Using the steering castor

Position the bed so that all the castors line up in the direction of travel. Raise the pedals to lock the steering castor and move the bed by pushing it from the opposite end.

NOTE

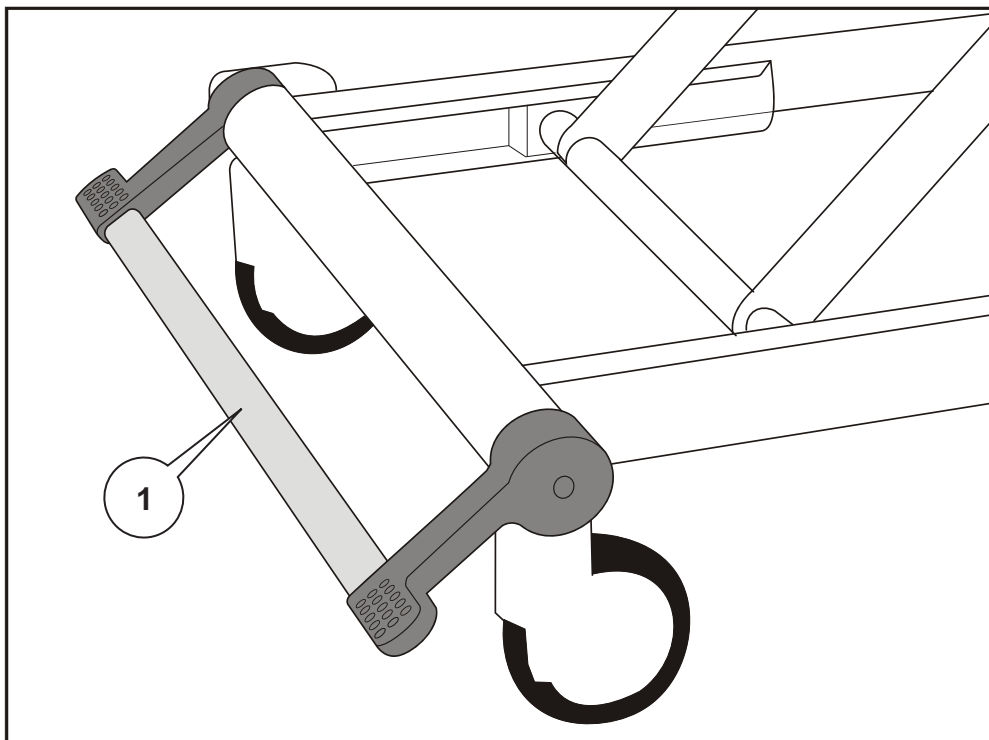
The steering castor may be at either end of the bed, as specified by the customer.

NOTE

Brake pedal appearance may alter slightly on actual product, but functionality and user instructions remain unchanged.

**Brake bar
(Optional)**

The brake pedals may be linked by a full width brake bar (1) which makes it easier to operate the pedals.



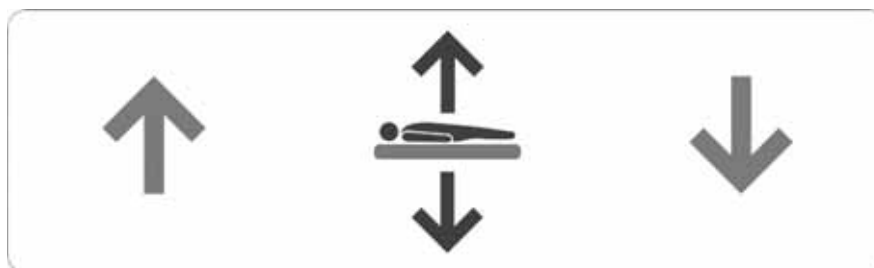
Brake bar

**Head end brake
pedals**

Brake pedals are provided at the head end of the bed. These operate in the same way as the foot end pedals.

**Foot Pedal for
Adjustment of
Bed Height
(Optional)**

Bed height can be adjusted from bed control panels and from the foot pedal located near the foot end of the bed.



Lift cover of pedal with foot and press left side to raise the bed height. Press right side of pedal to lower the bed height.

How to use the 5th Wheel (Optional)

The 5th wheel provides improved mobility and steering.

Activate 5th Wheel:

1. Step down on the head end of the 5th wheel activation pedal (A). **(See Fig. 1)**
The 5th wheel (B) will lower until it has contact with the floor.
2. Check that the brakes are unlocked and the brake pedal is in the “Free” position. **(See Fig. 2)**
3. The bed is ready for movement.

Deactivate 5th Wheel:

1. Step down on the foot end of the 5th wheel activation pedal (A). **(See Fig. 1)**
2. Make sure the 5th wheel (B) is raised from the floor.

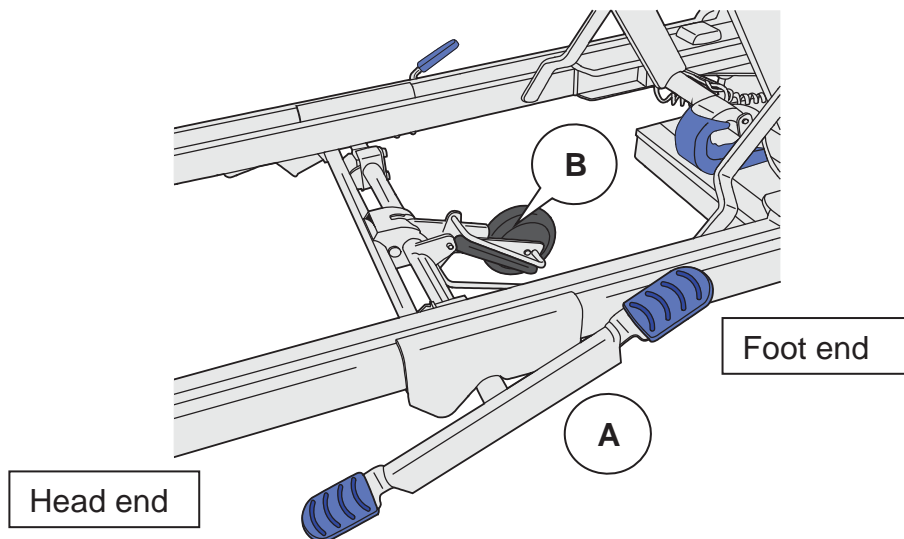


Fig. 1 - 5th wheel activation pedal

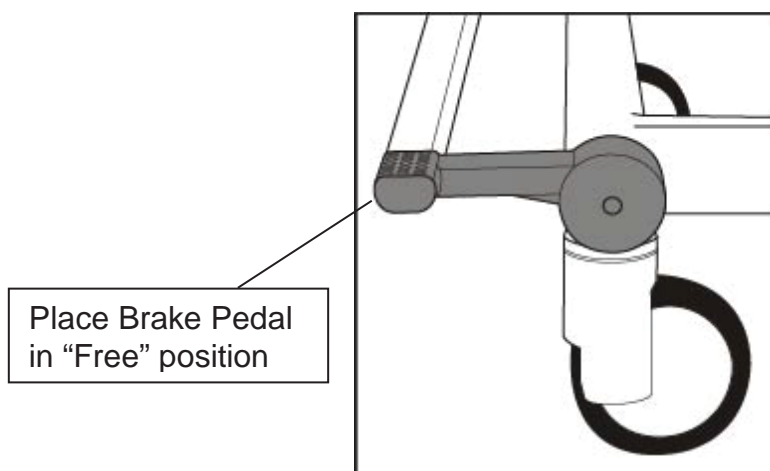


Fig. 2 - Free Position

Side rails (Optional)

The bed can be fitted with $\frac{3}{4}$ length 3 bar or 5 bar side rails or folding split side rails.



WARNING - beds supplied without side rails

The clinically qualified person responsible should consider the age, size and condition of the patient before allowing them to occupy the bed.



Do not install side rails (including those made by Arjo) on the bed.



WARNING - beds supplied with side rails

The clinically qualified person responsible should consider the age, size and condition of the patient before allowing the use of side rails.

Side rails are not intended to restrain patients who make a deliberate attempt to exit the bed.

The bed must only be used with the side rails supplied. Do not use another manufacturer's side rails.

Ensure that the mattress is suitable for use with side rails - refer to Chapter 3 for guidance.



Side rail contact points are identified by this symbol. Keep hands and fingers away from these areas.

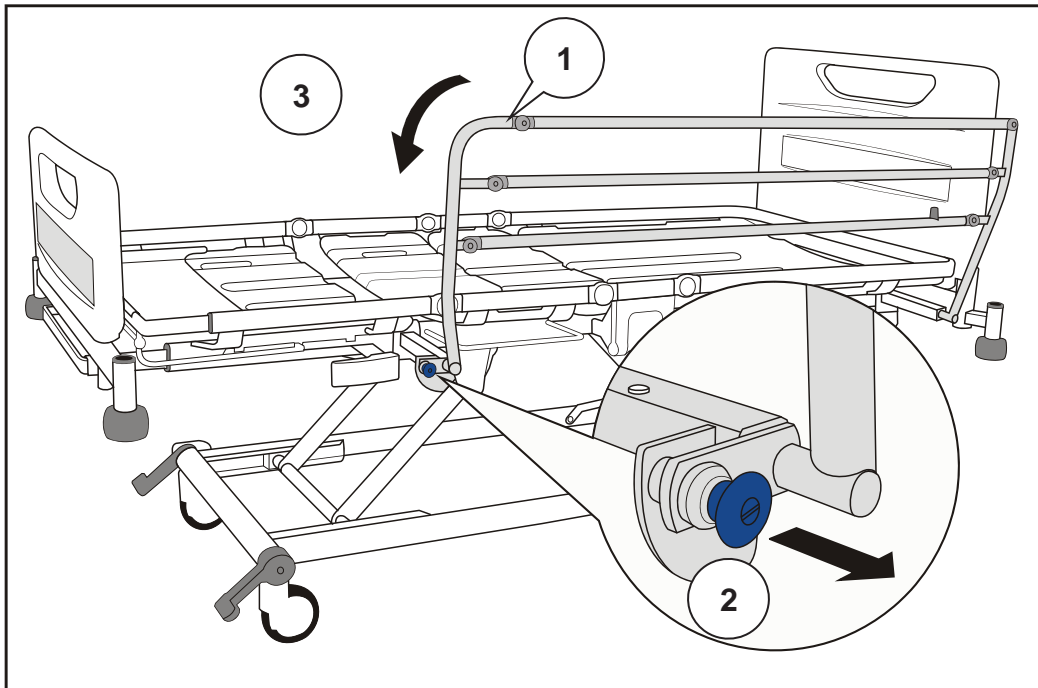


When using removable $\frac{3}{4}$ length side rails, do not fit different side rails to those originally supplied by Arjo with the bed. Make sure the serial number label on the side rail corresponds to the serial number on the bed – refer to page 7 for a description of the bed serial number.

When the removable side rails are fitted make sure the securing pin is assembled and fitted correctly.

To lower the ¾ length folding side rail:

Hold the top rail (1) just behind the hinge. Pull the blue operating knob (2) and lower the side rail towards the foot end of the bed (3).



¾ length folding side rail operation

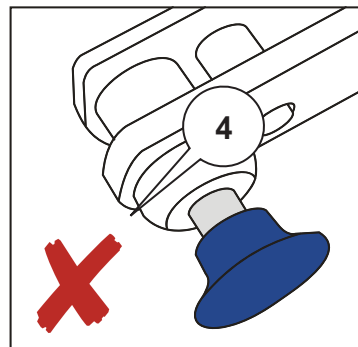
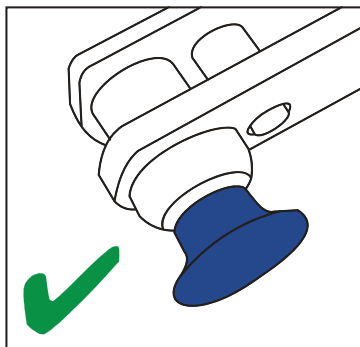
To raise the side rail:

Hold the top rail (1) just behind the hinge. Pull the side rail up until it locks in the raised position with an audible “click”.



WARNING

Make sure the locking mechanism is securely engaged when the side rail is raised. Do not leave the side rail in the raised position if the locking bolt (4) is visible behind the blue operating knob.



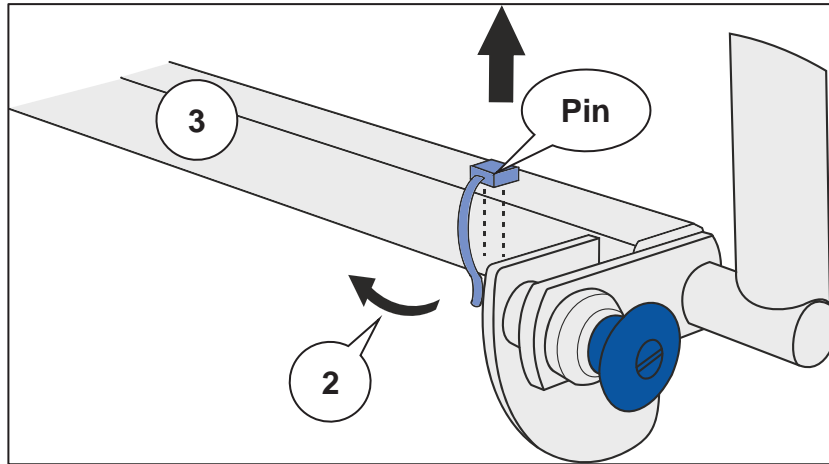
To remove and install the 3 bar or 5 bar $\frac{3}{4}$ length folding side rail:

Some beds are fitted with easy to remove folding side rails. Removable folding side rails are available in 3 bar or 5 bar configurations. Removable side rails are identical in operation to the fixed $\frac{3}{4}$ length side rails described on the previous page.

Make sure the side rails are in the raised position.

Locate the securing pins at both ends of the bed between the side rail and bed frame.

For each pin, pull the securing loop (2) away and lift the pin out of the frame (3).



$\frac{3}{4}$ length folding side rail securing pin

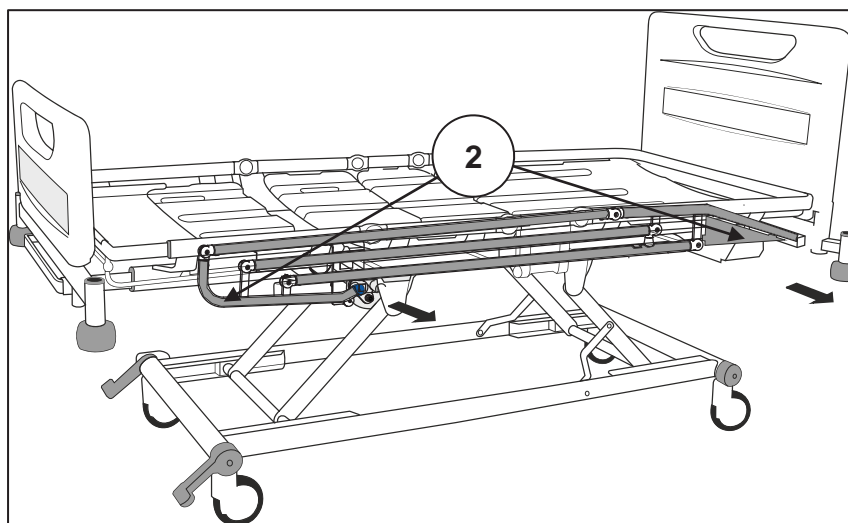
Lower the folding side rails (refer to page 21).



WARNING

With the side rails lowered and the securing pins removed, the side rails can move unexpectedly. Take care during removal to avoid sudden movement of the rails that could cause entrapment of limbs. Be aware of contact points described on page 20.

Hold onto the side rail near the mounting points (2) and pull the side rail away from the bed frame.

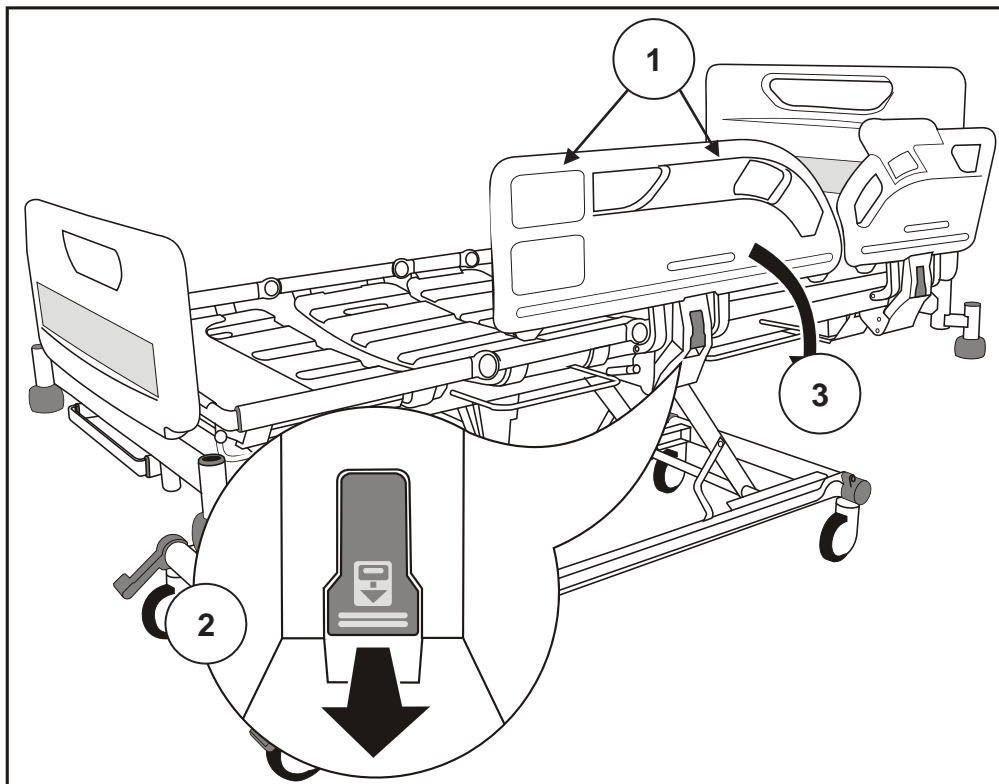


$\frac{3}{4}$ length folding side rail removal

To install the side rails, slide the rail mounts into the bed frame mounting points (2) and secure with the securing pins.

To lower the folding split side rails:

Hold either side rail handle (1). Pull the release lever (2) and lower the side rail (3) so that it folds down below the mattress platform.



Folding split side rail operation

To raise the side rail:

Hold either side rail handle (1). Pull the side rail up and away from the bed until it locks in the raised position with an audible “click”.

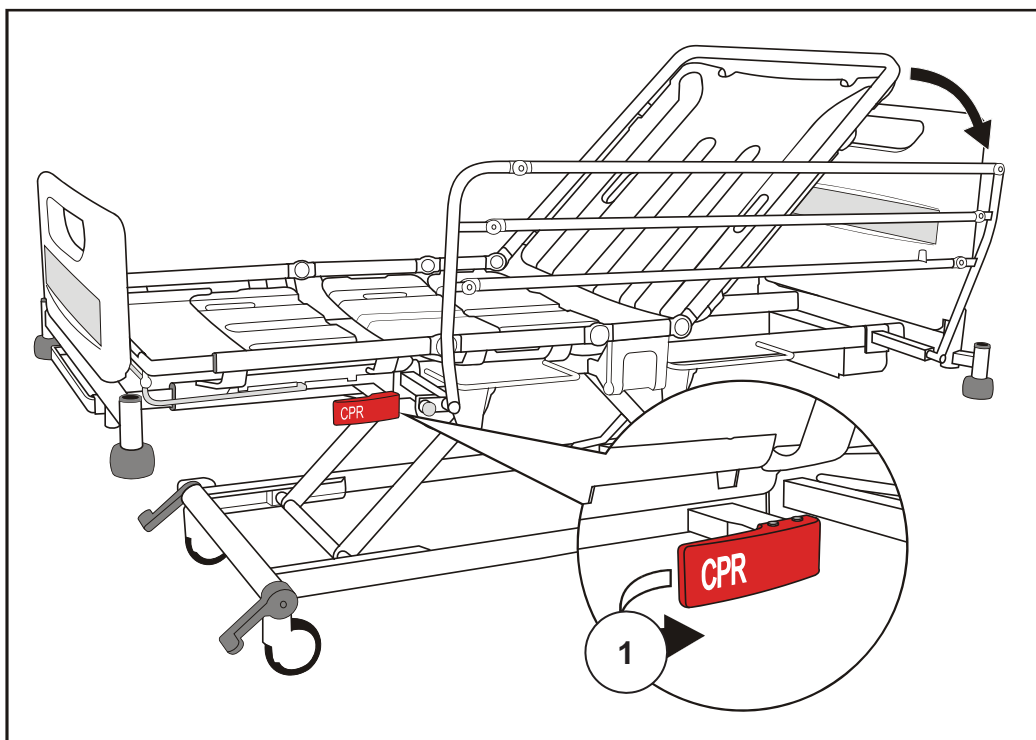
NOTE

The head end and foot end side rails both operate in the same way

CPR backrest release

Manual CPR release handles are located below the calf section on either side of the bed.

If the patient suffers a cardiac arrest, pull the CPR release handle (1). This will lower the backrest to enable cardio-pulmonary resuscitation to be carried out.



CPR backrest release



WARNING

The backrest can fall quickly; keep hands clear to avoid trapping.



CAUTION

The manual CPR release should only be used in an emergency; repeated everyday use can cause premature wear.

X-ray cassette tray (Optional)

The X-ray cassette tray allows thoracic X-ray photography with the backrest at any angle and without the patient moving from the bed.



WARNING

Position the mattress platform at an ergonomic height to allow easy loading and removal of X-ray cassettes.

Return the X-ray cassette tray to its closed position below the backrest before raising or lowering the backrest.

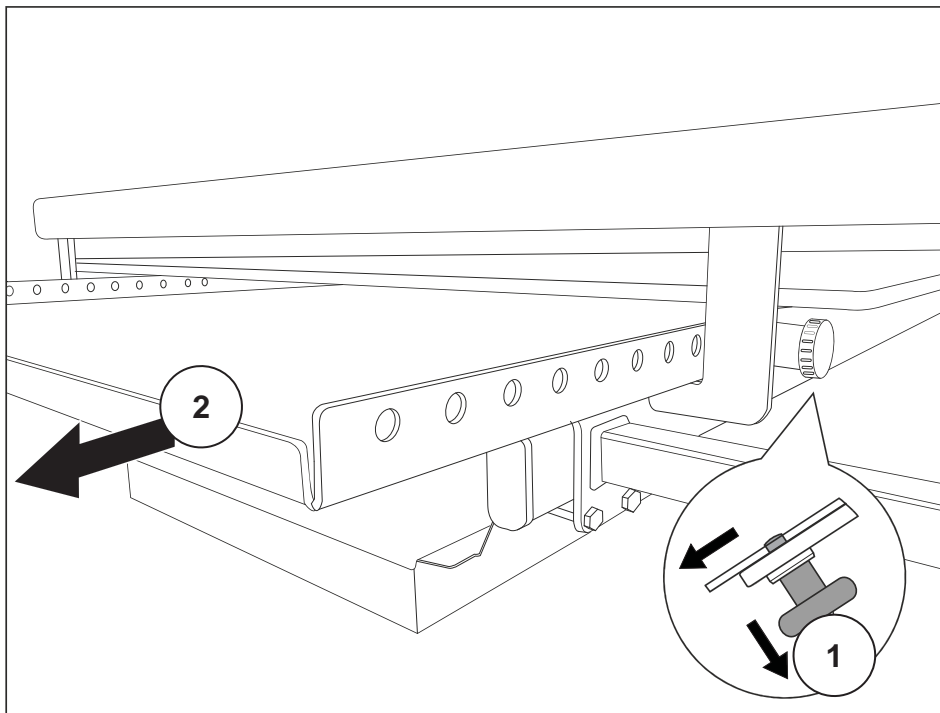
Do not sit or place heavy objects on the X-ray cassette tray.

Ensure the X-ray cassette tray is held securely in place by the catch at all times.

Operation

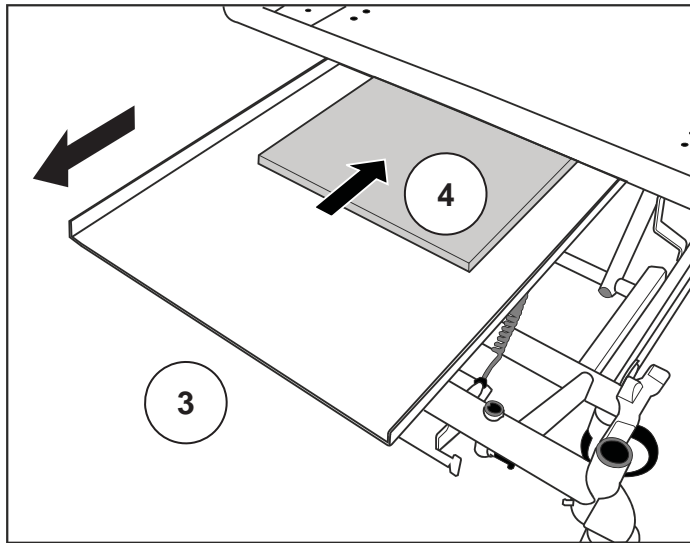
Apply the brakes. Remove the head board from the bed.

Pull the knob (1) to release the catch and slide the tray out (2) as far as will go.



X-ray cassette tray operation

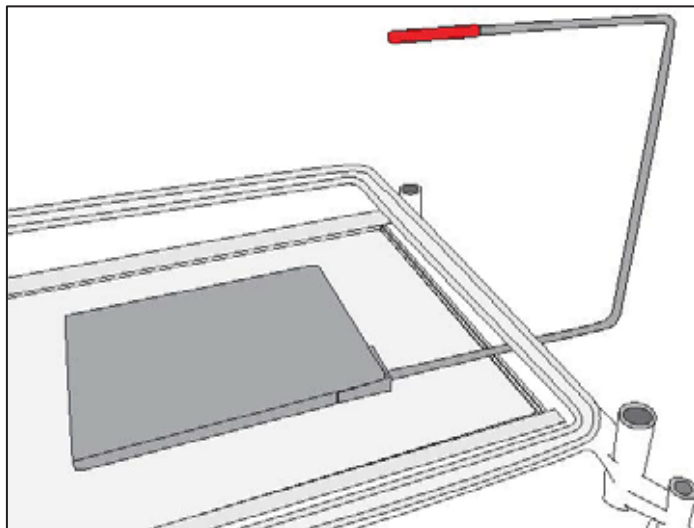
Release the knob to hold the tray in the fully open position (3). Position the X-ray cassette (4) on the tray with its bottom edge against the lip at the foot end of the tray.



Positioning the X-ray cassette

Pull the knob and slide the tray underneath the backrest.

The red moulding on the top of the X-Ray sitting tool indicates the top right hand corner of the X-Ray cassette. Use this feature to assist in accurate positioning.



X-Ray Sitting Tool

Release the knob to hold the tray in one of the latching positions.

After use, pull the tray out to the fully open position and remove the X-ray cassette. Return the tray to the closed position below the backrest and replace the head board.

Bed length adjustment

The length of the bed is adjustable to three set positions. These are typically used as follows:

- 1 Short, for manoeuvring the bed in confined spaces
- 2 Standard length, for normal use
- 3 Extended, to accommodate very tall patients



WARNING

Install a suitable foam mattress extension (squab) at the head end when the bed is extended.

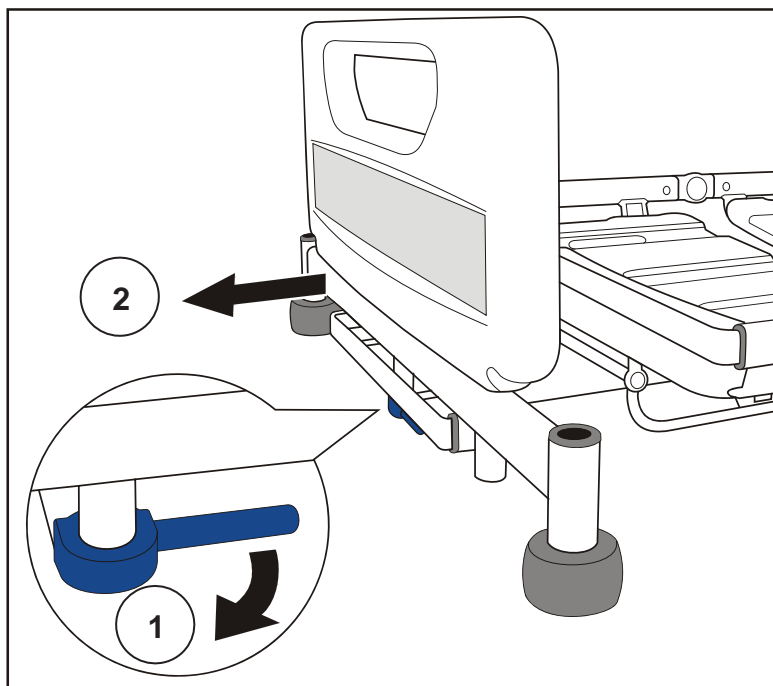
Always adjust the bed frame and mattress platform to the same length and make sure both are latched securely in position.

Level the mattress platform before adjusting the bed length.

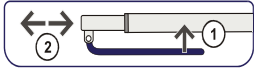
Take care not to pinch your fingers when lifting the catch bar.

To extend the bed frame:

Pull the blue extension locking handle (1). Pull out the bed frame (2) to the required position and release the handle.

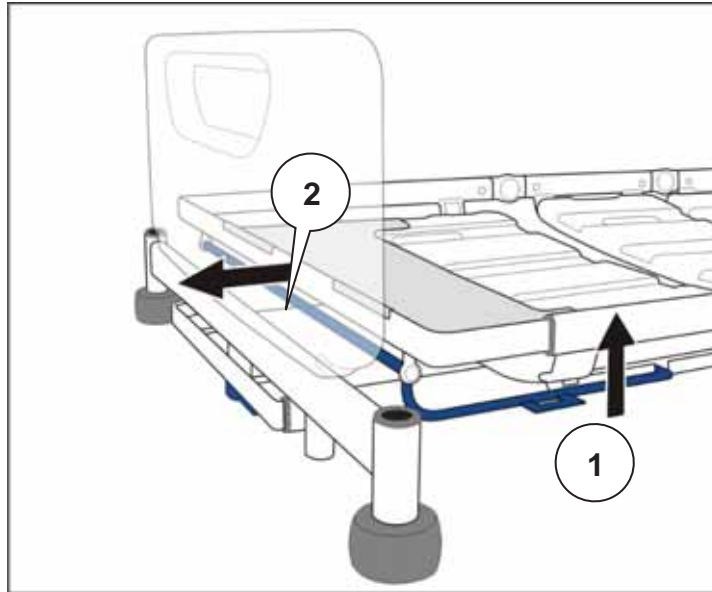


Extending the bed frame



To extend the mattress platform:

Lift the blue extension catch bar (1). Hold the middle of the end crossbar (2) and pull out the mattress platform to the required position. Release the catch bar.



Extending the mattress platform

To shorten the bed:

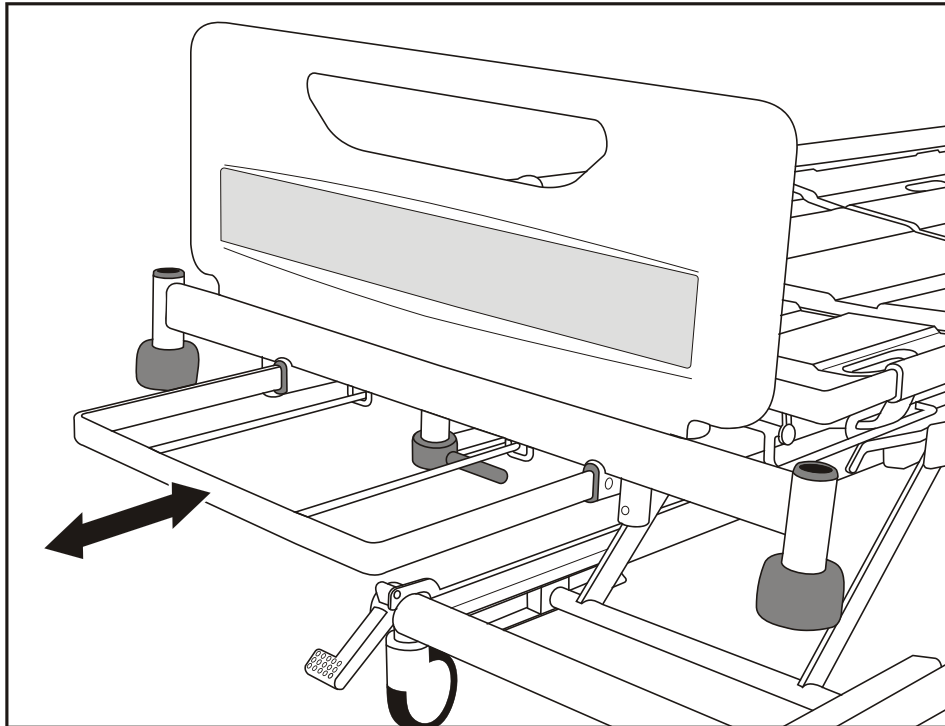
Reverse the above procedure.

**Bedstripper
(linen shelf)
(Optional)**

The bedstripper is used for supporting clean linen when the bed sheets are being changed.

Pull out the bedstripper from its closed position below the foot board.

After use, push the bedstripper back to its closed position.



Bedstripper (linen shelf)



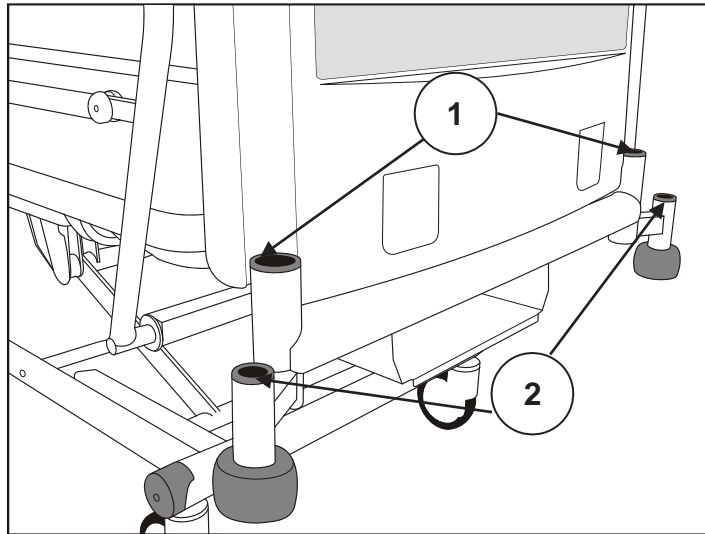
CAUTION

The safe working load of the bedstripper is 20kg.
Level the mattress platform before using the bedstripper.

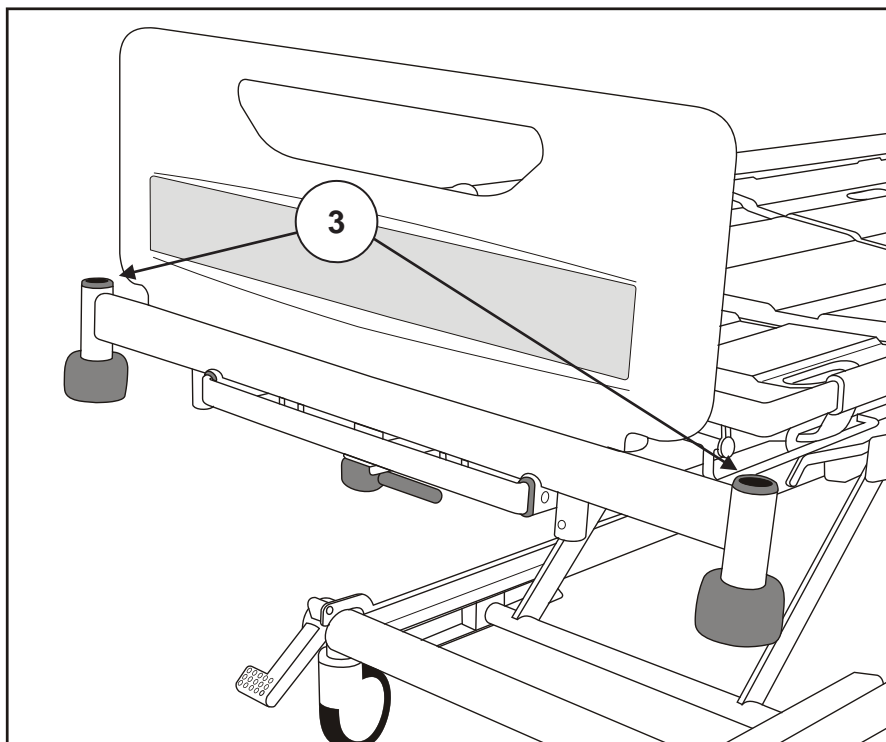
Lifting pole and accessory sockets

Lifting pole sockets (1) are located at the head end of the mattress platform.

Sockets to support compatible accessories are located at the head end (2) and foot end (3) of the bed.



Lifting pole and accessory sockets (head end)

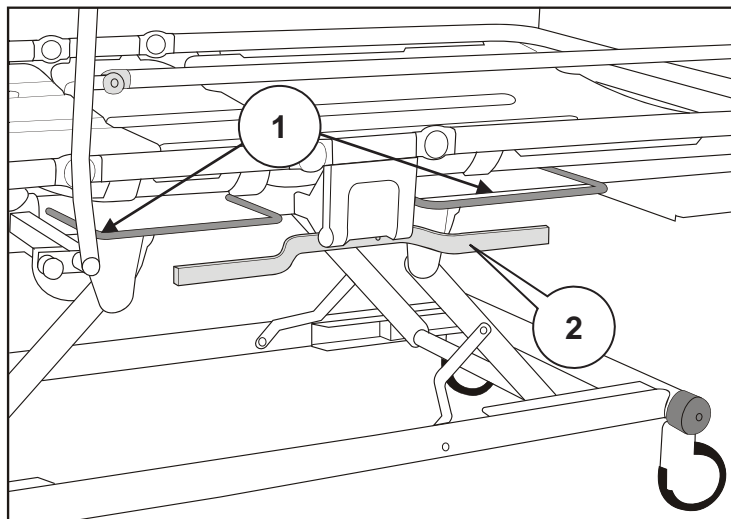


Accessory sockets (foot end)

Drainage bag rails

Rails (1) to support drainage bags, etc. are located below the thigh and backrest sections on either side of the bed.

(Optional) The bed may also be fitted with DIN accessory rails (2).



Drainage bag rails and DIN rail



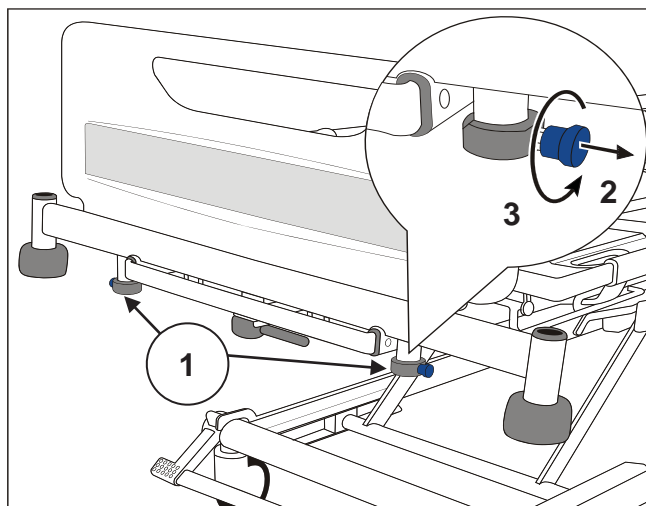
CAUTION

The maximum weight that can be safely supported by each drainage bag rail and DIN rail is 5kg.

Head and foot boards

The head and foot boards can be easily lifted off the bed for access to the patient.

(Optional) The head and foot boards can each be fitted with locking catches (1) to prevent accidental removal. **To unlock a board:** pull out the catches (2) and rotate them a quarter-turn (3); the board can now be lifted off the bed.



Locking foot board (foot end shown in this example)

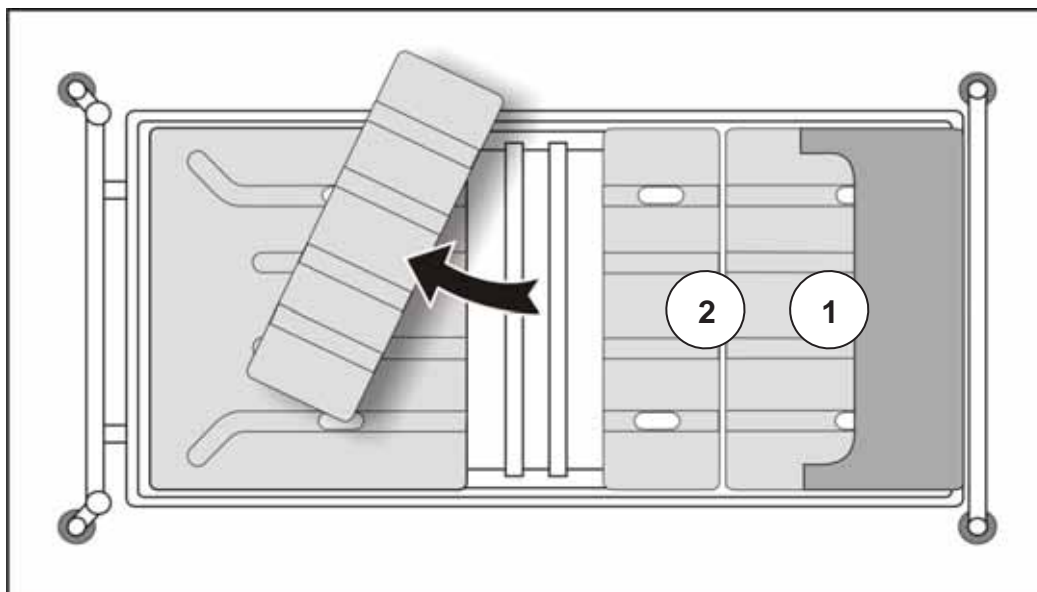
After replacing a board on the bed, rotate the catches until they spring back into the locked position.

Mattress platform sections

As standard the bed is supplied with curved platform sections. Optional flat platform sections are available.

The four mattress platform sections (backrest, seat, thigh and calf) can be removed by pulling them upwards off the mattress platform frame.

Lift off the calf extension sheet (1) before removing the calf section (2).



Mattress platform sections (top view)

To replace each section, make sure it is correctly positioned on the mattress platform frame then press down firmly until it snaps into place.

Replace the calf extension sheet (1) by clipping it over the end of the mattress platform frame.

NOTE

Do not combine flat and curved platform sections. Curved sections are lighter in colour than the dark grey flat platform sections to help differentiate between the two types.

Head and foot boards

The head and foot boards can be easily lifted off the bed for access to the patient.

Underbed light (Optional)

The underbed light illuminates the floor on either side of the bed.

The light is always on except when the bed is operating from the backup battery.

Adjusting the mattress platform

The bed is provided with two control handsets: a patient handset with basic controls only and a more comprehensive attendant control panel (ACP) for use by the carer. The functions on both handsets are described separately over the next few pages.

To adjust the mattress platform: press and hold the appropriate button until the required position is achieved. Movement will continue until the button is released or the limit of travel is reached.

NOTE

If a warning tone (beep) sounds when pressing a button, this indicates that the bed is operating on the backup battery – refer to the section **Backup battery**.

NOTE

If a button is held down for more than 90 seconds, the function will be automatically inhibited until the button is released. The function must then be unlocked as described in the section **Function lockout**.



WARNING

If the patient handset or ACP is dropped onto a hard surface, check that all the buttons work correctly afterwards.

Patient handset

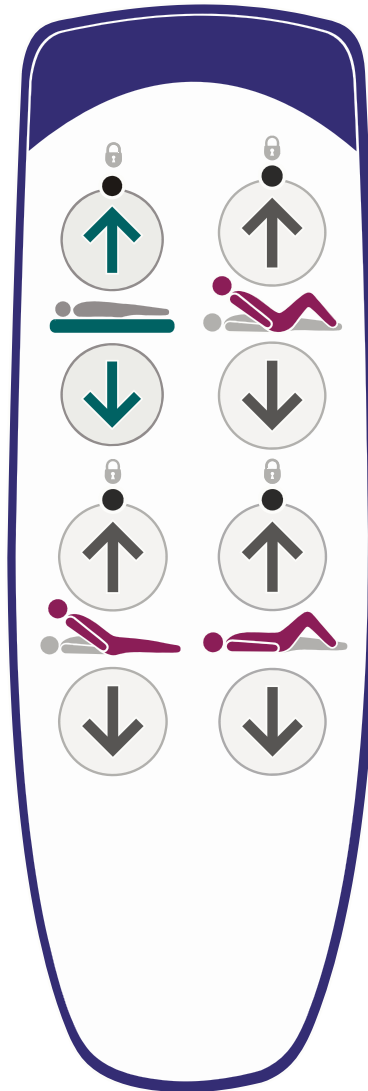
The patient handset can be positioned on either side of the bed.



WARNING

Store the handset on the side rail using the clip on the back; this will help to prevent accidental operation of the controls.

The patient should be shown how to use the handset by the carer.



Patient handset

NOTE

On some models the patient handset does not have mattress platform height, backrest or thigh section controls.

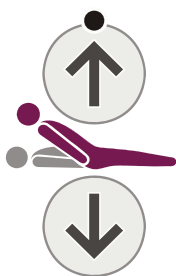
Bio-Contour



The Bio-Contour up button simultaneously raises the backrest and thigh sections to provide upright patient profiling; the raised thigh section prevents the patient sliding down the bed.

The Bio-Contour down button returns the mattress platform to a flat position.

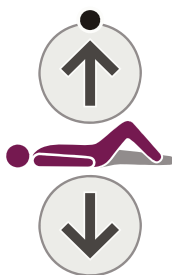
Backrest angle (Optional)



These buttons raise and lower the backrest.

The backrest will pause when it reaches an angle approximately 30° above the horizontal.

Thigh section (Optional)



These buttons raise and lower the thigh section.

When the thigh section is first raised from the flat position, the calf section will be in the Fowler position (angled downwards).

To change the calf section to the vascular (horizontal) position, refer to the section **Adjusting the calf position**.

Mattress Platform Height (Optional)



These buttons raise and lower the mattress platform.

When the mattress platform is lowered to 38cm* above the floor, it will pause then continue to lower until it reaches its minimum height.

* 40cm on beds with 150mm castors.

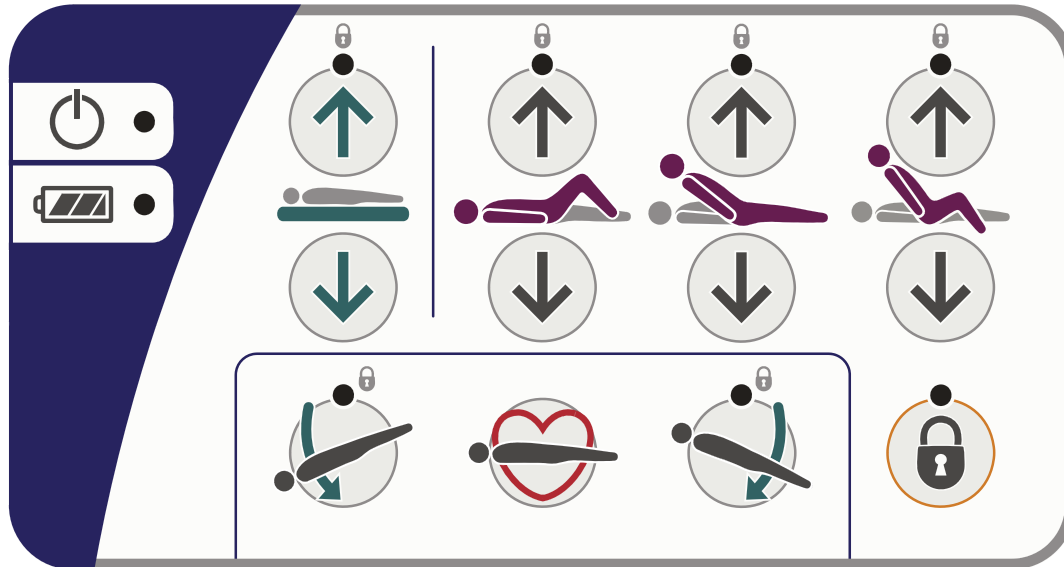
Attendant Control Panel (ACP)

The ACP is located at the foot end of the bed.



WARNING

The ACP must be kept out of the reach of the patient.



Attendant Control Panel (ACP)



Power on indicator - lights when the bed is connected to the electricity supply



Battery indicator - refer to the section **Backup battery**.

Mattress platform height



These buttons raise and lower the mattress platform.

When the mattress platform is lowered to 38cm* above the floor, it will pause then continue to lower until it reaches its minimum height.

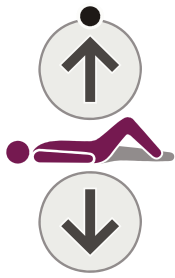
(* 40cm on beds with 150mm castors.)



WARNING

At minimum height, clearance underneath the bed is reduced. Keep your feet away from the areas below the side rails and take extra care when using patient hoists or similar equipment.

Thigh section

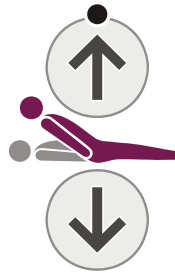


These buttons raise and lower the thigh section.

When the thigh section is first raised from the flat position, the calf section will be in the Fowler position (angled downwards).

To change the calf section to the vascular (horizontal) position, refer to the section **Adjusting the calf position**.

Backrest



These buttons raise and lower the backrest.

The backrest will pause when it reaches an angle approximately 30° above the horizontal.

Auto-Chair



The *Auto-Chair up* button simultaneously raises the backrest and thigh sections, pausing when the backrest reaches 45°. Continue to hold the button down to lower the foot end of the mattress platform into a chair position.

When the backrest and thigh sections are raised, pressing the *Auto-Chair up* button again lowers the foot end of the mattress platform into a chair position; if the backrest angle is greater than 45°, it will return to 45° to prevent the patient from tipping forwards.

The *Auto-Chair down* button returns the mattress platform to a flat and level position.

Tilt angle



This button lowers the head end of the mattress platform (Trendelenburg position).



This button lowers the foot end of the mattress platform (reverse Trendelenburg position).

NOTE

When returning from a tilted position, the mattress platform will pause at the level (no tilt) position.

CPR position



If the patient suffers a cardiac arrest, press and hold the CPR button. This will flatten the mattress platform (and lower it if necessary) to enable cardio-pulmonary resuscitation to be carried out.

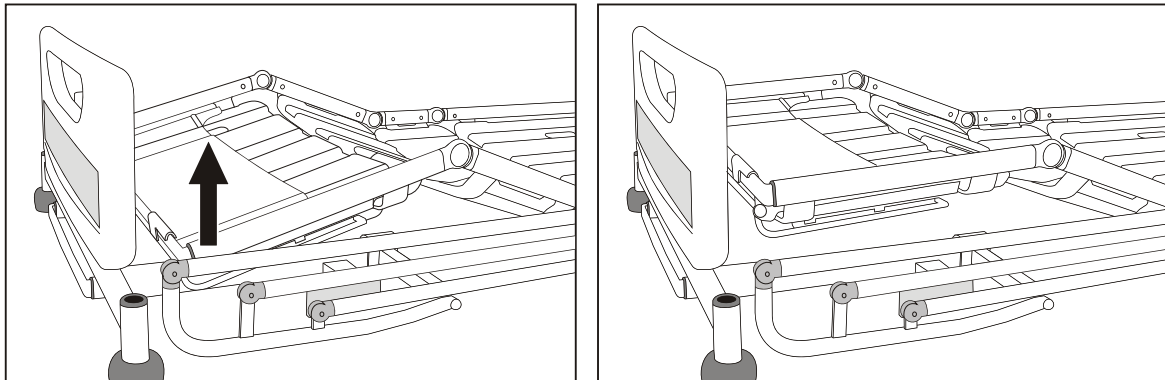
The CPR button overrides the function lockout settings.

Adjusting the calf position

When the thigh section is raised, the calf section can be manually changed to the vascular (horizontal) position:



Hold the side of the calf section frame. Lift the calf section upwards until it latches.



Changing from Fowler position (left) to vascular

To return the calf section to the Fowler position:

Use the patient handset or ACP to lower the thigh section to the flat position; then raise the thigh section again.



WARNING

Take care when lifting the calf section. Observe local manual handling guidelines.

Function lockout

Function lockout can be used to prevent operation of the controls, e.g. when inadvertent movement of the mattress platform could injure the patient.

The indicator above each function shows its status: on = function locked; off = function unlocked.



To lock (prevent) ALL functions: *press and hold* the Function Lock button for five seconds. The “lock” indicator above each function button will light.



To selectively lock (prevent) functions:

Press the Function Lock button. The indicator above the button will light.

Press the ACP button(s) corresponding to the function(s) to be locked. The “lock” indicator above the button will light.



After five seconds, the indicator above the Function Lock button will go out and the lockout settings are stored.

NOTE

When a function is locked, any associated functions are automatically disabled, e.g. locking the backrest also disables Bio-Contour and Auto-Chair.

NOTE

Function lockout settings are retained if the bed is disconnected from the electricity supply.



To unlock (allow) previously locked functions:

Press the Function Lock button. The indicator above the button will light.



Press the ACP button(s) corresponding to the function(s) to be unlocked. The “lock” indicator above the button will go out.

After five seconds, the indicator above the Function Lock button will go out and the lockout settings are stored.

Backup battery



CAUTION

To ensure the battery is kept fully charged and prevent damage to the battery, the bed should be connected to the electricity supply at all times during normal use.

The battery is intended for occasional short term use. Its life will be reduced if it is used to power the bed for long periods.

The backup battery allows operation of the bed for short periods when it is disconnected from the electricity supply or in emergency situations when the electricity supply is not available.

The battery's charge level is indicated as follows:



If an intermittent warning tone (*beep-beep-beep*) sounds when operating the bed, the battery is between 75% and 100% charged.

In this condition all bed functions remain operational.



If a continuous warning tone sounds when operating the bed, the battery is between 10% and 75% charged.

In this condition, all bed functions remain operational.



If the ACP battery indicator lights red, the battery is less than 10% charged.

In this condition, all functions are locked.

Recharging the backup battery



To recharge the battery, connect the bed to the electricity supply. Allow at least eight hours to recharge the battery when it is completely discharged.

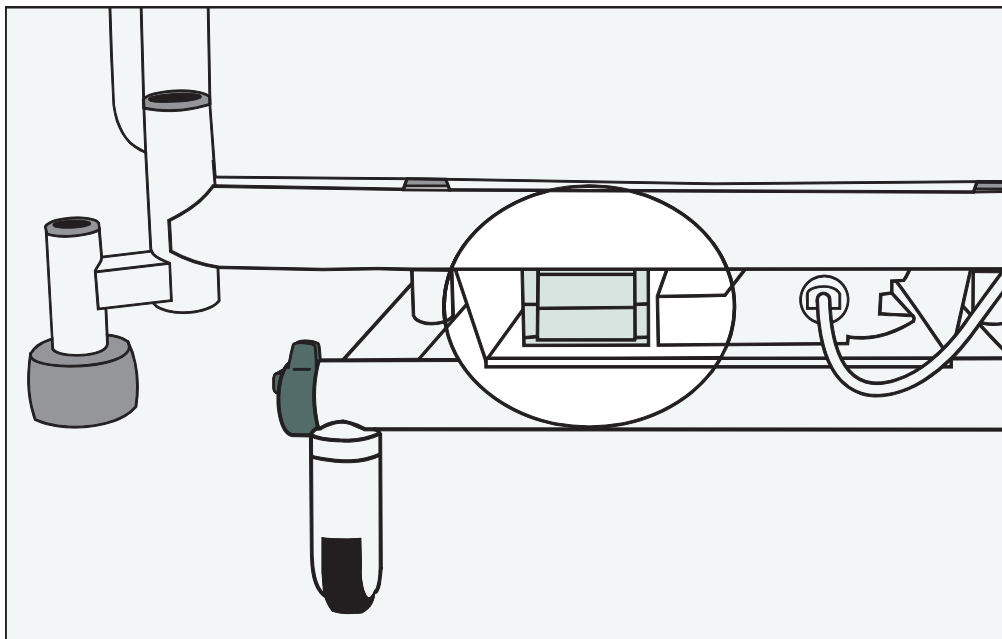
While the battery is recharging, the ACP battery indicator lights yellow. The indicator will go out when the battery is fully charged.



WARNING

The battery must only be recharged using the built-in charger. Do not use a separate charger or power supply.

The backup battery must be ventilated while recharging. Do not cover the battery or obstruct the area around it.



Location of backup battery

Duty cycle lockout

Continuous operation of the controls may exceed the duty cycle of the bed's electrical system, causing the indicators above the buttons to flash. After 30 seconds, the indicators will light and all functions are locked.

If this happens, wait for at least 18 minutes then follow the unlocking procedure described in the section **Function lockout**.

5. Product Care



WARNING

Disconnect the bed from the electricity supply before starting any cleaning or maintenance activity. The bed will still operate on battery power if the function has not been locked on the ACP.

Decontamination



WARNING

Do not allow the mains plug or power supply cord to get wet.

NOTE

These instructions also apply to accessories but not to mattresses or side rail pads. For lifting straps and handles, refer to the manufacturer's instructions supplied with the product. Remove the side rails from the bed to allow better decontamination on beds with removable side rails.

The bed should be cleaned and disinfected weekly, and before a new patient uses the bed.

Cleaning

Remove the mattress and any accessories from the bed.

The head/foot boards and mattress platform sheets should be removed from the bed for cleaning.

Wearing suitable protective clothing, clean all surfaces with a disposable cloth moistened in hand hot water and a neutral detergent.

Start by cleaning the upper sections of the bed and work along all horizontal surfaces. Work methodically towards the lower sections of the bed and clean the wheels last. Take extra care to clean areas that may trap dust or dirt.

Wipe over with a new disposable cloth moistened with clean water, and dry with disposable paper towels.

Allow the cleaned parts to dry before replacing the mattress.

Disinfecting

After cleaning the bed as described above, wipe all surfaces with sodium dichloroisocyanurate (NaDCC) at a concentration of 1,000 parts per million (0.1%) of available chlorine.

In the case of pooling body fluids, e.g. blood, the concentration of NaDCC should be increased to 10,000 parts per million (1%) of available chlorine.

Use of other disinfectants

Arjo recommends sodium dichloroisocyanurate (NaDCC) as a disinfectant because it is effective, stable and has a fairly neutral pH. Many other disinfectants are used in healthcare facilities, and it is not possible for Arjo to test each one to determine whether it may affect the appearance or performance of the bed.

If facility protocols require the use of a disinfectant other than NaDCC (e.g. diluted bleach or hydrogen peroxide), it should be used with care and in accordance with the manufacturer's instructions.



CAUTION

Do not use abrasive compounds or pads, or phenol-based disinfectants.

Do not use jet stream cleaning or wash tunnels.

Do not remove grease from the actuator pistons.

Preventive maintenance

This product is subject to wear and tear during use. To ensure that it continues to perform within its original specification, preventive maintenance procedures should be carried out at the intervals shown.



WARNING

This list indicates the minimum recommended level of preventive maintenance. More frequent inspections should be carried out when the product is subjected to heavy use or aggressive environments, or where required by local regulations.

Failure to carry out these checks, or continuing to use the product if a fault is found, may compromise the safety of both the patient and carer. Preventive maintenance can help to prevent accidents.

NOTE

Product cannot be maintained and serviced while in use with the patient.

Actions to be done by carer	Daily	Weekly
Check operation of side rails	✓	
Check patient handset and cable		✓
Check ACP and cable		✓
Visually check castors		✓
Visually check power supply cord and mains plug		✓
Check the mattress for damage and fluid ingress		✓
Examine the lifting pole, strap and handle (Optional)	✓	
Check for damage to the side rail pads (Optional)		✓
Check for correct fitting of the locking pin on 3 bar and 5 bar removable side rails		✓
Check operation of manual CPR release handles on both sides of the bed		✓

If the result of any of these tests is unsatisfactory, contact Arjo or an approved service agent.




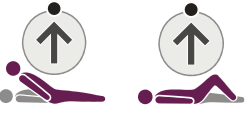




WARNING

The procedures below must be carried out by suitably trained and qualified personnel. Failure to do so may result in injury or an unsafe product.

Actions to be done by qualified personnel	Yearly
Carry out a full test of all electrical bed positioning functions (backrest, height, tilt, etc.)	✓
Check that the bedstripper / linen shelf remains in its closed position when maximum foot down tilt is applied.	✓
Check that the bed operates correctly using the backup battery as described in the next section Battery test .	✓
Check operation of the manual CPR release handles on both sides of the bed	✓
Check operation the of castors, paying special attention to braking and steering functions	✓
Check that the calf section latches securely in the horizontal (vascular) position when manually raised.	✓
Check that the bed extension locks securely in all three positions	✓
Examine the power supply cord and mains plug – if damaged, replace the complete assembly; do not use a rewirable plug	✓
Examine all accessible flexible cables for damage and deterioration	✓
Check all accessible nuts, bolts and other fasteners are present and correctly tightened	✓
Check any accessories fitted to the bed, paying particular attention to fasteners and moving parts	✓

Battery test

Check the condition of the backup battery by carrying out the following test.

1. Disconnect the bed from the electricity supply.
2. Raise the mattress platform to maximum height - ignore the battery warning tone.

3. Raise the backrest and thigh sections as far as they will go.

4. Press and hold the CPR button. The mattress platform will move to a lat, mid-height position.

5. Lower the mattress platform to minimum height.

6. Apply maximum head down tilt (Trendelenburg).

7. Return the mattress platform to the level position. Apply maximum foot down tilt (reverse Trendelenburg).


If this test is not completed successfully, connect the bed to the electricity supply for at least eight hours to recharge the battery then perform the test again. If the bed fails a second time, contact Arjo or an approved service agent.

To maintain best performance, the backup battery should be replaced every four years by an approved service agent.





Troubleshooting

If the equipment fails to operate correctly, the table below suggests some simple checks and corrective actions. If these steps fail to resolve the problem, contact Arjo or an approved service agent.

Symptom	Possible cause	Action
"Beeping" sound when using the bed	Bed is operating from the backup battery	Check the power supply cord is plugged in and the electricity supply is OK Check fuse in mains plug (where fitted)
One or more bed functions inoperative	Function(s) locked on ACP	Unlock function(s) on ACP
All functions inoperative except for raising mattress platform	Height control software error	Raise the mattress platform to maximum height to reset software
Bed is difficult to manoeuvre around corners	Brake pedals in "steer" position	Place brake pedals in the "free" position
All indicators on ACP lit or flashing	Duty cycle of electrical system exceeded	Refer to section Duty cycle lockout in Chapter 4

Fault indications

The bed's control software indicates problems in the electrical system by means of flashing indicators on the Attendant Control Panel (ACP). If you experience any of the indications below, contact Arjo or an approved service agent.

Indication	Possible cause
 <p data-bbox="341 421 911 495">ACP mattress platform height and head down tilt indicators flashing</p>	Height actuator fault (foot end)
 <p data-bbox="341 551 895 624">ACP mattress platform height and foot down tilt indicators flashing</p>	Height actuator fault (head end)
 <p data-bbox="240 696 692 734">ACP backrest indicator flashing</p>	Backrest actuator fault
 <p data-bbox="240 822 751 860">ACP thigh section indicator flashing</p>	Thigh section actuator fault
<p data-bbox="105 920 895 987">Mattress platform height, tilt, backrest and thigh section indicators flashing.</p>	Control unit fault

Product lifetime

The lifetime of this equipment is typically ten (10) years. "Lifetime" is defined as the period during which the product will maintain the specified performance and safety, provided it has been maintained and operated in conditions of normal use in accordance with the requirements in these instructions.

6. Accessories and Cables

Recommended accessories for the **Enterprise 5000X** range are shown in the table below.


Note that some items may not be available in all countries.

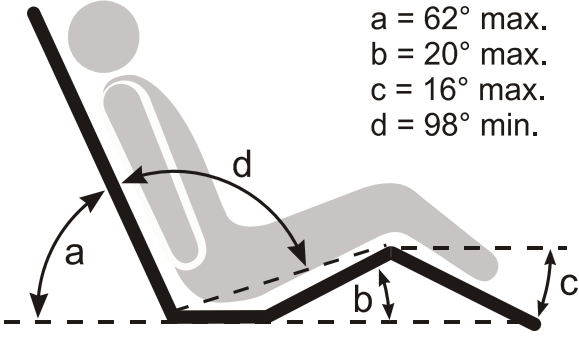

Accessory	Product Code
Lifting pole with strap and handle	ENT-ACC01
IV pole	ENT-ACC02
Three-position lifting pole with strap and handle	ENT-ACC03
Angled IV pole	ENT-ACC04
Fracture frame	ENT-ACC05
Side rail pads	ENT-ACC06
Syringe pump holder	ENT-ACC07
Oxygen bottle holder (for CD, D, E & PD cylinders)	ENT-ACC08
Small traction assembly	ENT-ACC10
ACP holder	ENT-ACC11
Additional hooks for IV pole	ENT-ACC14
Power supply cord storage hook (supplied with bed)	ENT-ACC15
Oxygen bottle holder (for B5 cylinder)	ENT-ACC18
Urine bottle holder	ENT-ACC19
Heavy duty IV pole	ENT-ACC24
Transducer mounting pole	ENT-ACC26
Head end traction assembly	ENT-ACC32
ITU head end panel (head board)	ENT-ACC34
Oxylog [®] equipment bracket	ENT-ACC40
Bed pan holder	ENT-ACC56
Oxygen bottle holder	ENT-ACC58
Drip cover	ENT-ACC63
Monitor shelf	ENT-ACC64
Lifting pole mounted IV fluid bag holder	ENT-ACC65
Foot end infill panels	ENT-ACC66
Safety side height extensions	ENT-ACC67
Urine bottle holder	ENT-ACC69
IV pole	ENT-ACC71
Monitor shelf	ENT-ACC74
Integrated IV Pole	ENT-ACC89

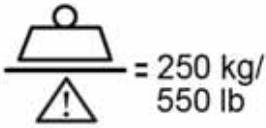
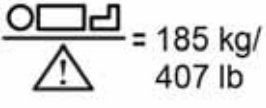


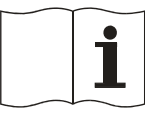








Oxylog is a registered trademark of Dräger Medical.

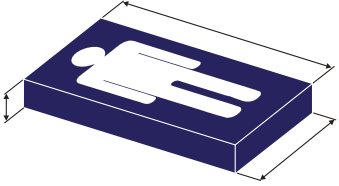
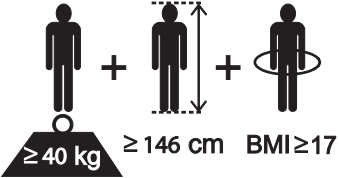
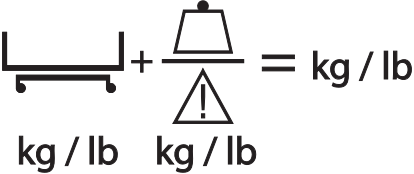





No.	Name	Cable Length (m)	Whether shielding or not	Remark
1	Cable	2.895	No	/

7. Technical Data

General		
Safe working load	250kg	
Maximum patient weight	185kg	
Product weight	144kg approx.	
Audible noise	50dB approx.	
Operating conditions		
Temperature	10°C to 40°C	
Relative humidity	20% to 90% at 30°C, non-condensing	
Atmospheric pressure	700hPa to 1060hPa	
Electrical data		
Power input	1.6A max. at 230V a.c. 50/60Hz 1.6A max. at 230V a.c. 60Hz (KSA) 2A max. at 120V a.c. 50/60Hz	
Duty cycle	10% (2 min. on, 18 min. off)	
Safety Standards USA/Canada	EN/IEC 60601-1:2005 AMD1:2012 ANSI/AAMI ES60601-1 (2005) AMD 1 (2012) CAN/CSA-C22.2 No. 60601-1:14 IEC60601-2-52:2015	
		
Electric shock protection	Class I Type B	
EMC	Complies with IEC 60601-1-2:2014	
Potential equalisation terminal	Complies with EN/IEC 60601-1:2005 AMD1:2012	
Liquid ingress protection	IPX4	
Backup battery	2 x 12V series connected, sealed, rechargeable lead/acid gel, 1.3Ah.	
Dimensions <i>Subject to normal manufacturing variations</i>		
Overall length	Head end board on mattress platform	Head end board on base
<i>Position 1 (Short)</i>	219cm	224cm
<i>Position 2 (Standard)</i>	230cm	235cm
<i>Position 3 (Extended)</i>	242cm	247cm

In-bed length	
<i>Position 1 (Short)</i>	192cm
<i>Position 2 (Standard)</i>	203cm
<i>Position 3 (Extended)</i>	215cm
Overall width	103cm
Height of mattress platform (centre of seat section to floor)	
<i>With 125mm castors</i>	32cm to 76cm
<i>With 150mm castors</i>	34cm to 78cm
Head down tilt angle	12° min.
Foot down tilt angle	12° min.
Mattress size (refer to Chapter 3 for details)	
<i>Position 2 (Standard)</i>	202cm x 88cm, 12.5 to 18cm thick
Mattress platform angles	 <p> a = 62° max. b = 20° max. c = 16° max. d = 98° min. </p>
End of life disposal	
<ul style="list-style-type: none"> • Equipment that has electrical and electronic components should be disassembled and recycled per Waste of Electrical and Electronic Equipment (WEEE) or in accordance with local or national regulation. • All batteries in the product must be recycled separately. Batteries are to be disposed in accordance with national or local regulations. • Components that are primarily made up of different kinds of metal (containing more than 90% metal by weight) for example bed frame, should be recycled as metals. 	
Transportation and storage	
Handle with care. Do not drop. Avoid shock or violent impact. This equipment should be stored in a clean, dry and well-ventilated area which meets the following conditions:	
Temperature	-10°C to 50°C
Relative humidity	20% to 90% at 30°C, non-condensing
Atmospheric pressure	700hPa to 1060hPa
 CAUTION If the bed is stored for a long time, it should be connected to the electricity supply for 24 hours every three months to recharge the backup battery, otherwise it may become unserviceable.	

Symbols	
 = 250 kg/ 550 lb	Safe working load
 = 185 kg/ 407 lb	Maximum patient weight
	Alternating current (a.c.)
	Caution
	Refer to instructions for use
	Type B applied part. Applied parts are considered to be: Upper frame section, Bed controls, Side Rails, Head and Foot Boards
	Manufacturer / date of manufacture
	CE marking indicating conformity with European Community harmonised legislation
	Waste Electrical and Electronic Equipment (WEEE) - do not dispose of this product in general household or commercial waste
	Serial number
	Model number
	Potential equalisation terminal
	Protective earth (ground)

	<p>Recommended mattress size</p>
	<p>Recommended patient size</p>
	<p>Total weight of the equipment including its safe working load</p>
	<p>Calf section vascular position</p>
	<p>Mattress platform extension</p>
	<p>Do not install side rails on the bed</p>
	<p>Mandatory to read instructions for use</p>
	<p>Indicates the product is a Medical Device according to EU Medical Device Regulation 2017/745</p>

8. Warranty and Service

Arjo standard terms and conditions apply to all sales; a copy is available on request. These contain full details of warranty terms and do not limit the statutory rights of the consumer.

For service, maintenance and any questions regarding this product, please contact your local Arjo office or approved distributor. A list of Arjo offices can be found at the back of this manual.

Have the model number and serial number of the equipment to hand when contacting Arjo regarding service, spare parts or accessories.

9. Electromagnetic Compatibility

Product has been tested for compliance with current regulatory standards regarding its capacity to block EMI (electromagnetic interference) from external sources.

Some procedures can help reduce electromagnetic interferences:

- Use only Arjo cables and spare parts to avoid increased emissions or decreased immunity which can compromise the correct functioning of the equipment.
- Ensure that other devices in patient-monitoring and/or life-support areas comply to accepted emissions standards.



WARNING

Wireless communications equipment such as wireless computer network devices, mobile phones, cordless telephones and their base stations, walkie-talkies, etc. Can affect this equipment and should be kept at least 1.5m away from the equipment.

Intended Environment: Professional Healthcare Facility Environment.

Exceptions: HF Surgical Equipment and the RF Shielded room of an ME SYSTEM for magnetic resonance imaging.




WARNING

Use of this equipment adjacent to or stacked with other equipment should be avoided because it could result in improper operation. If such use is necessary, this equipment and the other equipment should be observed to verify that they are operating normally.

Guidance and manufacturer's declaration – electromagnetic emissions

Emissions test	Compliance	Electromagnetic environment - guidance
RF emissions CISPR 11	Group 1	This equipment uses RF energy only for its internal functions. Therefore, its RF emissions are very low and are not likely to cause any interference in nearby electronic equipment.
RF emissions CISPR 11	Class A	
Harmonic emissions IEC 61000-3-2	Class A	This equipment is suitable for use in all establishments other than domestic and those directly connected to the public low-voltage power supply network that supplies buildings used for domestic purposes.
Voltage fluctuations/ flicker emissions IEC 61000-3-3	Complies	

Guidance and manufacturer's declaration – electromagnetic immunity			
Immunity test	IEC 60601-1-2 test level	Compliance level	Electromagnetic environment - guidance
Electrostatic discharge (ESD) EN 61000-4-2	±2kV, ±4kV, ±8kV, ±15kV air ± 8kV contact	±2kV, ±4kV, ±8kV, ±15kV air ± 8kV contact	Floors should be wood, concrete or ceramic tile. If floors are covered with synthetic material the relative humidity level should be at least 30%.
Conducted disturbances induced by RF fields EN 61000-4-6	3V in 0,15 MHz to 80 MHz 6V in ISM and amateur radio bands between 0,15 MHz and 80 MHz 80% AM at 1 kHz	3V in 0,15 MHz to 80 MHz 6V in ISM and amateur radio bands between 0,15 MHz and 80 MHz 80% AM at 1 kHz	Portable and mobile RF communications equipment should be used no closer to any part of the product, including cables, than 1.0m, if the transmitter's output power rating exceeds 1W ^a . Field strengths from fixed RF transmitters, as determined by an electromagnetic site survey, should be less than the compliance level in each frequency range ^b . Interference may occur in the vicinity of equipment marked with this symbol: 
Radiated RF electromagnetic field EN 61000-4-3	Professional Healthcare environment 3 V/m 80 MHz to 2,7 GHz 80% AM at 1 kHz	Professional Healthcare environment 3 V/m 80 MHz to 2,7 GHz 80% AM at 1 kHz	
Proximity fields from RF wireless communications equipment EN 61000-4-3	385 MHz - 27 V/m 450 MHz - 28 V/m 710, 745, 780 MHz - 9V/m 810, 870, 930 MHz - 28 V/m 1720, 1845, 1970, 2450 MHz - 28 V/m 5240,5500, 5785 MHz - 9V/m	385 MHz - 27 V/m 450 MHz - 28 V/m 710, 745, 780 MHz - 9V/m 810, 870, 930 MHz - 28 V/m 1720, 1845, 1970, 2450 MHz - 28 V/m 5240,5500, 5785 MHz - 9V/m	
Electrical fast transient/burst EN 61000-4-4	±1kV SIP/SOP ports ±2kV AC port 100kHz repetition frequency	±1kV SIP/SOP ports ±2kV AC port 100kHz repetition frequency	Mains power supply should be that of a typical commercial or hospital environment.

Guidance and manufacturer's declaration – electromagnetic immunity			
Immunity test	IEC 60601-1-2 test level	Compliance level	Electromagnetic environment - guidance
Power frequency Magnetic field EN 61000-4-8	30A/m 50 Hz or 60 Hz	30A/m 50 Hz	Power frequency magnetic fields should be at levels characteristic of a typical location in a typical commercial or hospital environment.
Surge IEC 61000-4-5	±0,5kV ±1kV; ±2 kV, AC Mains, Line to Ground ±0,5kV ±1kV, AC Mains, Line to Line	±0,5kV ±1kV; ±2 kV, AC Mains, Line to Ground ±0,5kV ±1kV, AC Mains, Line to Line	
Voltage dips, short interruptions and voltage variations on power supply input lines IEC 61000-4-11	0 % UT; 0,5 cycle At 0°, 45°, 90°, 135°, 180°, 225°, 270° and 315° 0 % UT; 1 cycle and 70 % UT; 25/30 cycles Single phase: at 0° 0 % UT; 250/300 cycle	0 % UT; 0,5 cycle At 0°, 45°, 90°, 135°, 180°, 225°, 270° and 315° 0 % UT; 1 cycle and 70 % UT; 25/30 cycles Single phase: at 0° 0 % UT; 250/300 cycle	
NOTE: U_T is the AC mains voltage prior to application of the test level.			
<p>^a Field strengths from fixed transmitters, such as base stations for radio (cellular/cordless) telephones and land mobile radios, amateur radio, AM and FM radio broadcast and TV broadcast cannot be predicted theoretically with accuracy. To assess the electromagnetic environment due to fixed RF transmitters, an electromagnetic site survey should be considered. If the measured field strength in the location in which the product is used exceeds the applicable RF compliance level above, the product should be observed to verify normal operation. If abnormal performance is observed, additional measures may be necessary.</p> <p>^b Over the frequency range 150 kHz to 80 MHz, field strengths should be less than 1 V/m.</p>			

Intentionally left blank

AUSTRALIA

Arjo Australia Pty Ltd
78, Forsyth Street
O'Connor
AU-6163 Western Australia
Tel: +61 89337 4111
Free: +1 800 072 040
Fax: + 61 89337 9077

BELGIQUE / BELGIË

Arjo NV/SA
Evenbroekveld 16
BE-9420 ERPE-MERE
Tél/Tel: +32 (0) 53 60 73 80
Fax: +32 (0) 53 60 73 81
E-mail: info.belgium@arjo.com

BRASIL

Arjo Brasil Equipamentos Médicos Ltda
Rua Marina Ciufuli Zanfelice, 329 PB02 Galpão
- Lapa
São Paulo – SP – Brasil
CEP: 05040-000
Phone: 55-11-3588-5088
E-mail: vendas.latam@arjo.com
E-mail: servicios.latam@arjo.com

CANADA

Arjo Canada Inc.
90 Matheson Boulevard West
Suite 300
CA-MISSISSAUGA, ON, L5R 3R3
Tel/Tél: +1 905 238 7880
Free: +1 800 665 4831 Institutional
Free: +1 800 868 0441 Home Care
Fax: +1 905 238 7881
E-mail: info.canada@arjo.com

ČESKÁ REPUBLIKA

Arjo Czech Republic s.r.o.
Na Strži 1702/65
140 00 Praha
Czech Republic
Phone No: +420225092307
e-mail: info.cz@arjo.com

DANMARK

Arjo A/S
Vassingerødvej 52
DK-3540 LYNGE
Tel: +45 49 13 84 86
Fax: +45 49 13 84 87
E-mail:
dk_kundeservice@arjo.com

DEUTSCHLAND

Arjo GmbH
Peter-Sander-Strasse 10
DE-55252 MAINZ-KASTEL
Tel: +49 (0) 6134 186 0
Fax: +49 (0) 6134 186 160
E-mail: info-de@arjo.com

ESPAÑA

Arjo Ibérica S.L.
Parque Empresarial Rivas Futura, C/Marie
Curie 5
Edificio Alfa Planta 6 oficina 6.1-.62
ES-28521 Rivas Vacia, MADRID
Tel: +34 93 583 11 20
Fax: +34 93 583 11 22
E-mail: info.es@arjo.com

FRANCE

Arjo SAS
2 Avenue Alcide de Gasperi
CS 70133
FR-59436 RONCQ CEDEX
Tél: +33 (0) 3 20 28 13 13
Fax: +33 (0) 3 20 28 13 14
E-mail: info.france@arjo.com

HONG KONG

Arjo Hong Kong Limited
Room 411-414, 4/F, Manhattan Centre,
8 Kwai Cheong Road, Kwai Chung, N.T.,
HONG KONG
Tel: +852 2960 7600
Fax: +852 2960 1711

ITALIA

Arjo Italia S.p.A.
Via Giacomo Peroni 400-402
IT-00131 ROMA
Tel: +39 (0) 6 87426211
Fax: +39 (0) 6 87426222
E-mail: Italy.promo@arjo.com

MIDDLE EAST

Arjo Middle East FZ-LLC
Office 908, 9th Floor,
HQ Building, North Tower,
Dubai Science Park,
Al Barsha South
P.O Box 11488, Dubai,
United Arab Emirates
Direct +971 487 48053
Fax +971 487 48072
Email: Info.ME@arjo.com

NEDERLAND

Arjo BV
Biezenwei 21
4004 MB TIEL
Postbus 6116
4000 HC TIEL
Tel: +31 (0) 344 64 08 00
Fax: +31 (0) 344 64 08 85
E-mail: info.nl@arjo.com

NEW ZEALAND

Arjo Ltd
34 Vestey Drive
Mount Wellington
NZ-AUCKLAND 1060
Tel: +64 (0) 9 573 5344
Free Call: 0800 000 151
Fax: +64 (0) 9 573 5384
E-mail: nz.info@Arjo.com

NORGE

Arjo Norway AS
Olaf Helsets vei 5
N-0694 OSLO
Tel: +47 22 08 00 50
Faks: +47 22 08 00 51
E-mail: no.kundeservice@arjo.com

ÖSTERREICH

Arjo GmbH
Lemböckgasse 49 / Stiege A / 4.OG
A-1230 Wien
Tel: +43 1 8 66 56
Fax: +43 1 866 56 7000

POLSKA

Arjo Polska Sp. z o.o.
ul. Ks Piotra Wawrzyniaka 2
PL-62-052 KOMORNIKI (Poznań)
Tel: +48 61 662 15 50
Fax: +48 61 662 15 90
E-mail: arjo@arjo.com

PORTUGAL

Arjo em Portugal
MAQUET Portugal, Lda.
(Distribuidor Exclusivo)
Rua Poeta Bocage n.º 2 - 2G
PT-1600-233 Lisboa
Tel: +351 214 189 815
Fax: +351 214 177 413
E-mail: Portugal@arjo.com

SUISSE / SCHWEIZ

Arjo AG
Fabrikstrasse 8
Postfach
CH-4614 HÄGENDORF
Tél/Tel: +41 (0) 61 337 97 77
Fax: +41 (0) 61 311 97 42

SUOMI

Arjo Scandinavia AB
Riihitontuntie 7 C
02200 Espoo
Finland
Puh: +358 9 6824 1260
E-mail: Asiakaspalvelu.finland@arjo.com

SVERIGE

Arjo International HQ
Hans Michelsensgatan 10
SE-211 20 MALMÖ
Tel: +46 (0) 10 494 7760
Fax: +46 (0) 10 494 7761
E-mail: kundservice@arjo.com

UNITED KINGDOM

Arjo UK and Ireland
Houghton Hall Park
Houghton Regis
UK-DUNSTABLE LU5 5XF
Tel: +44 (0) 1582 745 700
Fax: +44 (0) 1582 745 745
E-mail: sales.admin@arjo.com

USA

Arjo Inc.
2349 W Lake Street Suite 250
US-Addison, IL 60101
Tel: +1 630 307 2756
Free: +1 800 323 1245 Institutional
Free: +1 800 868 0441 Home Care
Fax: +1 630 307 6195
E-mail: us.info@arjo.com

JAPAN

Arjo Japan K.K.
東京都港区虎ノ門三丁目7番8号 ランディッ
ク第2虎ノ門ビル9階
電話 : +81 (0)3-6435-6401

Address page - REV 24: 04/2019

At Arjo, we are committed to improving the everyday lives of people affected by reduced mobility and age-related health challenges. With products and solutions that ensure ergonomic patient handling, personal hygiene, disinfection, diagnostics, and the effective prevention of pressure ulcers and venous thromboembolism, we help professionals across care environments to continually raise the standard of safe and dignified care. Everything we do, we do with people in mind.



ArjoHuntleigh AB
Hans Michelsensgatan 10
211 20 Malmö, Sweden
www.arjo.com

arjo

